



**RRACKS**<sup>®</sup>

# YOUR SOLAR INSTALLATION PARTNER

RRACKS<sup>™</sup> PRODUCT CATALOGUE | 2020



RRACKS™ WHO WE ARE

## We are RRACKS™

### A Solar Engineering company specialising in the best quality solar mounting structures available on the market.

We have many years of experience designing and producing the fastest solar mounting solutions in the industry. RRACKS™ has specialised in meeting all the manufacturing standards such as the AS/NZ 1170, which means our structures are designed to the highest degree of strength and quality.

RRACKS™ has been able to continually improve the standard of its structures with our expert teams from USA, Europe, Asia and Australia. This team collectively has over 25 years of experience in the solar EPC industry.

In order to create RRACKS™, our team of solar engineering experts collaborated with the leading manufacturing company in China which has over 30 years of experience in manufacturing under their belt. This combination of the two leading companies within their individual fields has produced outstanding products made to the highest standards in terms of quality and design - all while being affordable.

We are committed to continually growing alongside our customers so that, as trends develop, we can fulfill their needs. That is why no project is too big or too small; location is not an issue as we execute projects on a global scale. We are a financially structured company with the bankability to execute solar mounting projects at any scale - whether it is a ground or roof structure, we can produce it for you.



Australian Exclusive Partner



RRACKS™ CONTACTS

## OUR GLOBAL FOOTPRINT

### SINGAPORE OFFICE

📍 2 Boon Leat Terrace, Harbourside #04-03/04, Singapore  
✉ sales@rracks.com

### AUSTRALIA OFFICE

📍 Unit 1 20 Henderson Road Knoxfield, Victoria 3180, Australia  
✉ sales@rracks.com

### THAILAND OFFICE

📍 10/1 Soi Farmwattana, Rama 4 Road, Phakanong, Klongtoei Bangkok 10400, Thailand  
✉ sales@rracks.com

### VIETNAM OFFICE

📍 85/89, Pham Viet Chanh, Binh Thanh District Ho Chi Minh City 700000, Vietnam  
✉ sales@rracks.com

### PHILIPPINES OFFICE

📍 22J Avenir Building, Archbishop Reyes Ave, Cebu City, 6000 Philippines  
✉ sales@rracks.com

### USA OFFICE

📍 3404 American Drive, unit 3307, Lago Vista 78645, TX, USA  
✉ sales@rracks.com

### FRANCE OFFICE

✉ sales@rracks.com

RRACKS™ WHY CHOOSE US

# OUR PROMISE



## GUARANTEED 12-YEAR WARRANTY

RRACKS™ uses only the highest quality aluminiums, stainless steel, and galvanised raw materials to manufacture quality solar mounting solutions. RRACKS™ products are backed by a 12-year guarantee which can be extended up to 25 years for large scale and commercial projects



## EXPERT ENGINEERING SERVICES

With so many years of experience in the solar industry, RRACKS™ has always been committed to providing its clients with the very best solutions and designs to get the job done. No challenge is too great or too small as no two solar projects are ever the same. RRACKS™ understands this better than anyone.



## EASE OF INSTALLATION

Time is money. We understand that the most important part of solar PV solar installation is time, which is why all of our products are carefully designed for quick installation. With years of experience in dealing with solar installers, RRACKS™ understands just how important it is to have a safe and reliable system that can be installed quickly and efficiently.



## EXCEPTIONAL MANUFACTURING

Our group has more than 30 years' experience in manufacturing aluminium and steel components strictly under ISO 9001 manufacturing standards with quality at the forefront of RRACKS™'s manufacturing program. We will work with our customers to get the best quality products delivered on time, every time.



## WIDE ARRAY OF DESIGN

RRACKS™ has a team of engineers that's always ready to assist our customers, even helping them design a solar mounting solution. Whether it be a small roof or a large scale utility solar farm, our team is always ready to help. We have years of experience in rooftop layout and design, especially when it comes to dealing with different soil and wind conditions.



## EFFECTIVE LOGISTICS MANAGEMENT

Getting your products on time is crucial in today's fast-paced world. Our company is committed to keeping your stock secured in our warehouse. From handling shipping to clearance documents, our dedicated staff will make sure your shipment reaches your door safe and sound.

RRACKS™ OUR PEOPLE

# PETER SECOMBE

## MANAGING DIRECTOR, RRACKS™

Peter Secombe has been in the solar business for the past 14 years and he was heavily involved in the design and manufacturing of solar mounting structures for companies all over the world; including Japan, Australia, New Zealand, South Africa, Europe, the Philippines and Thailand. Peter has been involved in many solar projects in South East Asia, working with large Solar companies such as Super Energy, SPCG, Thai Solar Energy, who between them have installed more than 1GW of solar farms in the region.



Peter has also gained years of experience in working with Solar developers, Engineering Procurement Construction and solar professionals all over the world being involved in more than 300MW of solar projects. This experience gives him the edge when consulting and planning solar projects.

Design and engineering is a passion within Peter's skill set. For the past 10 years he has run a team of design engineers working on designing and manufacturing solar mounting structures that are not only cost-effective in the manufacturing process but are superfast to install.

Peter has worked with the AS/NZ 1170 code for many years always designing products to strict Australian standards while always focusing on quality to outlast the competition.





RRACKS™ WHAT WE DO

## FOLDABLE & ADJUSTABLE TILT KITS

**RRACKS™** Foldable Tripod Kits are built for easy transportation and speedy installation. Simply unfold the tilt leg to the required tilt angle on your roof, and easily attach cross rails with our cross brace connector in a matter of seconds.

Like all **RRACKS™** products, our foldable and adjustable tilt kits are also engineered to AS/NZ 1170 standards as well - providing our clients quality solar structures that are designed and manufactured with strength and quality.



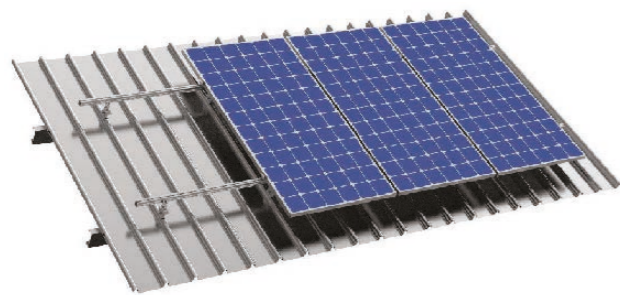
Available in 10 to 30 degree tilt angles, both legs are fully adjustable and can be easily secured into position with a single M8 screw.

RRACKS™ WHAT WE DO

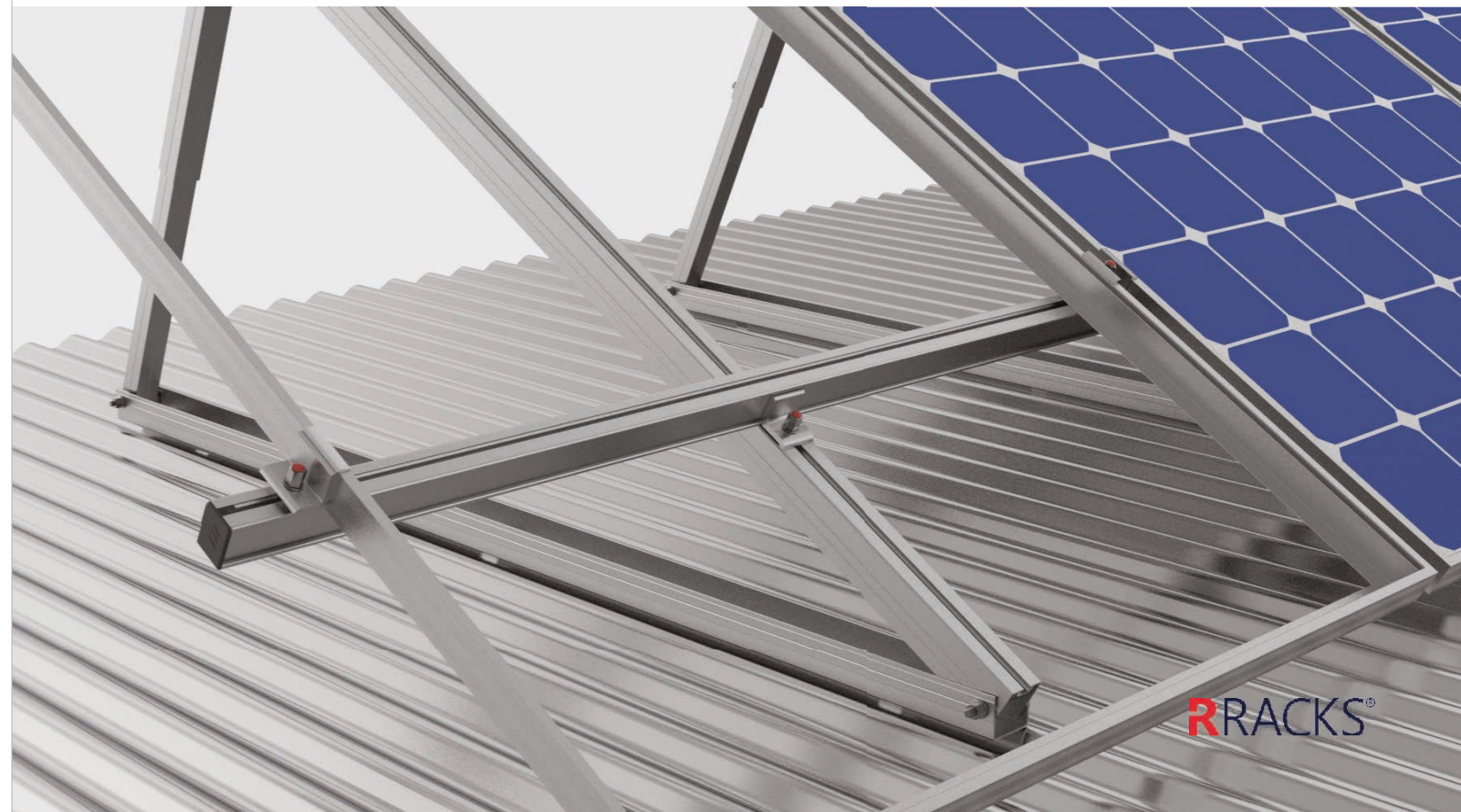
## ROOF MOUNT SOLUTIONS

With many years of experience in both residential and commercial solar rooftop solutions, **RRACKS™** understands the various challenges rooftop solar can bring. Having specially designed solar roof mounting solutions for countries all over the world such as USA, Australia, UK, South Africa and Japan - **RRACKS™** is your number one partner for all mounting solutions.

Designed with swift installation in mind, **RRACKS™** understands that the most important aspect for any installation company is efficiency and convenience; to spend the shortest amount of time possible when it comes to roof installations. Our many years of experience have allowed us to design and produce the fastest solar mounting solution available in the solar industry today.



Our solar mounting solutions are all designed to AS/NZ 1170 standards, meaning that all **RRACKS™** solar structures are designed and manufactured with the highest degree of strength and quality.



RRACKS™ WHAT WE DO

# GROUND MOUNT SOLUTIONS

RRACKS™ ground mount systems are designed for all types of geological locations worldwide. Whether it be in the harshest deserts or within challenging alpine snow areas, we have the right solar mounting solution for your valuable project.

We specialise in a variety of solar ground mount products from aluminium, to steel, to hybrid configurations to suit your specifications that still fit within your budget. With years of experience in both design and deployment, RRACKS™ is your trusted partner when procuring your next utility scale solar ground mount system.

The RRACKS™ Aluminium Clamp Rail landscape system is a hybrid system that consists of both the highest quality 6000 series aluminium and rock-solid galvanized steel with an 80 micron coating. The slot rail system is also available in a variety of configurations, with your choice of either ballast or screw pile footing configuration.

The unistrut clamp rail landscape system is our all-steel ground mount system that uses the same framing system as the forementioned. It also consists of rock-solid galvanised system with an 80 micron coating. Similar to other ground mount solar mounting solutions, it comes with a variety of configurations including your choice of ballast or screw pile footing.

## GROUND SCREWS

We have a full selection of galvanised ground screws. Our experienced engineering team will identify the screw type needed for your mount system, taking into account the terrain and wind speed in your area.

There are three types of flange head ground screws available: multi-thread, twin blade, and four blade.



GROUND MOUNT FRAMING



RRACKS™ OUR CAPABILITIES

# EARLY WORK STUDIES AND CAPABILITIES

Commonly, engineers representing Banks and Financiers will most likely want to see the following studies to finalise funding.

Our team has been involved in every aspect of engineering services for many large scale projects. We offer stamped and certified documents for funding institutions, insurance or EPC companies.

- |   |  |
|---|--|
| 1 TOPOGRAPHIC & BOUNDARY STUDY          | 7 LIQUEFACTION POTENTIAL STUDY                   |
| 2 FLOOD STUDY & FLOOD PROTECTION DESIGN | 8 ROAD & DRAINAGE DESIGN                         |
| 3 SUB SURFACE INVESTIGATION             | 9 PV MODULE LAYOUT & ELECTRICAL SYSTEM DESIGN    |
| 4 FOUNDATION DESIGN & PILE TESTING      | 10 STRUCTURAL DESIGN & ENGINEERING SIGNOFF       |
| 5 SOIL CHEMICAL TESTING                 | 11 BESPOKE STRUCTURE DESIGN PROTOTYPING SERVICES |
| 6 WATER STORAGE (RESERVOIR) DESIGN      | 12 SOIL RESISTIVITY STUDY                        |



RRACKS™ OUR CAPABILITIES

# ENGINEERING CONSTRUCTION WORKS

RRACKS™ can take care of the following services for your solar farm project. With years of experience in rooftop, ground mount and utility scale projects, our team can design and manufacture solar mounting structures, as well as assist in the construction process.

- |                                    |                          |
|------------------------------------|--------------------------|
| 1 EARTH WORKS & DRAINAGE           | 5 MODULE INSTALLATION    |
| 2 LAND SURVEY & PILE POINT MARKING | 6 CABLE TRENCH           |
| 3 PILE INSTALLATION                | 7 DC CONNECTION          |
| 4 MOUNTING INSTALLATION & ASSEMBLY | 8 GROUNDING INSTALLATION |



RRACKS™ OUR CAPABILITIES

# PROJECT MANAGEMENT CONSULTANCY

The RRACKS™ team of engineers has been in the solar farm business for more than 20 years, both leading and consulting on more than 200 MW solar farm projects globally.

- 1 SITE MANAGEMENT
- 2 STAFF INSTALLATION TRAINING
- 3 SAFETY TRAINING
- 4 PLANNING & DESIGN
- 5 LOGISTICS PLANNING
- 6 SCHEDULE & BUDGET PLANNING



RRACKS™ OUR PROJECTS

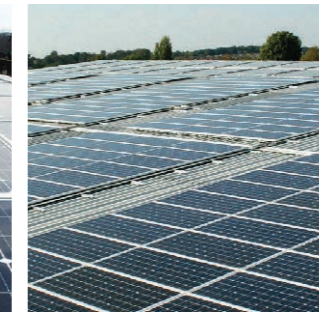
# PROJECTS GALLERY

 JAPAN

 MALAYSIA



785 KW ROOFTOP



1 MW ROOFTOP



350 KW ROOFTOP

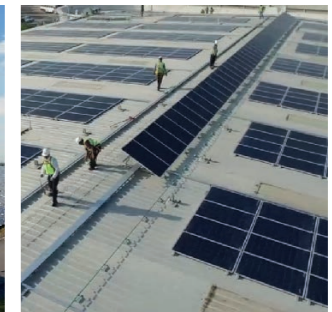
 AUSTRALIA



584 KW ROOFTOP



4 MW SOLAR FARM

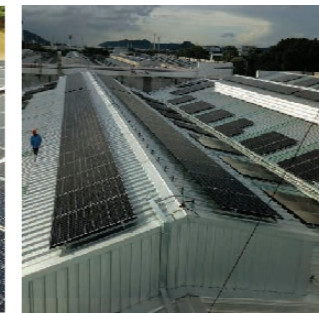


158 KW ROOFTOP

 THAILAND



100 KW ROOFTOP



1 MW ROOFTOP



160 KW ROOFTOP



10.6 MW SOLAR FARM





## NORTHERN THAILAND

**CAPACITY** 3.5 MW

**SCOPE OF WORK** Engineering, Solar Mounting,  
Walkways and Cable Management Solutions





RRACKS™ OUR SOLUTIONS

# INNOVATIVE ENGINEERING SOLUTIONS

- 1 ROOF MOUNT
- 2 ROOF KITS
- 3 GROUND MOUNT
- 4 GROUND SCREWS
- 5 WALKWAY
- 6 CABLE MANAGEMENT
- 7 SKYLIGHT PROTECTION
- 8 CARPORTS
- 9 MIGHTY LIFT

## ROOF MOUNT



ROOF MOUNT

Our range of rooftop component Red Dot Rack by RRACKS™ has been designed to fit a wide variety of roof types and applications around the world.

Manufactured from our 6000 Series aluminium and using our proprietary designs, your mounting components are as fast to install and as long lasting as you have come to expect from the Red Dot Rack brand.

### Rail



Red Dot Rack High Strength Rail is designed for multiple roof types. Used with Red Dot Rack clamps and brackets. For custom length, please call for more support. Check manuals for bracket spacing. Custom length available up to 6m.

ITEM NO.	MATERIAL	SPEC	FINISH
300-0001	AL 6005-T5	4200mm	Anodized
300-0002	AL 6005-T5	3200mm	Anodized
300-0003	AL 6005-T5	5200mm	Anodized
300-0005	AL 6005-T5	2110mm	Anodized
300-0028	AL 6005-T5	4400mm	Anodized
300-0030	AL 6005-T5	2200mm	Anodized
300-0032	AL 6005-T5	5200mm	Mill finish
300-0033	AL 6005-T5	4400mm	Mill finish
300-0034	AL 6005-T5	4200mm	Mill finish
300-0035	AL 6005-T5	3200mm	Mill finish
300-0036	AL 6005-T5	2200mm	Mill finish
300-0037	AL 6005-T5	2110mm	Mill finish

### Rail Joiner



Red Dot Rack High Strength Rail Joiner is designed to completely cover the back of the rail, allowing a super strong bond between joining rails. Allows zero twist or flex at the joining point. Great for uneven roof tops.

ITEM NO.	MATERIAL	SPEC	FINISH
303-0001	AL 6005-T5	Length 100mm	Anodized
303-0008	AL 6005-T5	Length 150mm	Anodized
303-0010	AL 6005-T5	Length 100mm	Black Anodized
303-0011	AL 6005-T5	Length 150mm	Black Anodized





### L-Bracket 6.3mm w/ Rubber

Red Dot Rack L-Bracket with 6.3mm connecting hole and EPDM rubber seal is designed for use with various metal roof types. Does not come with roofing screw. Please select roofing screw to suit your application.

ITEM NO.	MATERIAL	SPEC	FINISH
304-0001	AL 6005-T5	38x40x85mm	Anodized
304-0006	AL 6005-T5	38x40x85mm	Black Anodized



### L-Bracket 10mm Hole

Red Dot Rack L-Bracket with 10mm connecting hole is designed for use with various Klip-lok brackets, connecting brackets, and rails.

ITEM NO.	MATERIAL	SPEC	FINISH
304-0002	AL 6005-T5	38x40x85mm	Anodized



### Corrugated Bracket

Red Dot Rack Corrugated Bracket Assembly with EPDM rubber is used under the Foldable Tripod Leg when connecting to corrugated roof sheet. Can also be used with Red Dot Rack L-Bracket.

ITEM NO.	MATERIAL	SPEC	FINISH
321-0001	AL 6005-T5	40x40x14mm	Anodized



### T-Head Rail Connector

Red Dot Rack custom 17mm T-Head Rail Connector with built-in earthing teeth is designed to connect all Red Dot Rack brackets to Red Dot Rack rail, including Tile, L-Bracket, Klip-Lok, Micro Inverter Mounting Brackets and other Red Dot Rack brackets.

ITEM NO.	MATERIAL	SPEC
319-0007	SUS-304	20mm thread



### Cross Rail Clamp Bracket

Red Dot Rack Cross Rail Clamp Bracket is used to clamp two Red Dot Rack Rails together when cross bracing. Also used to connect Red Dot Rack Rail to Foldable Tripod Tilt system.

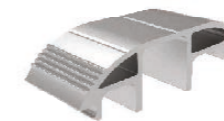
ITEM NO.	MATERIAL	SPEC	FINISH
318-0001	AL 6005-T5	37x40x36mm	Anodized



### Integrated Earthing Lug

Red Dot Rack Integrated Earthing Lug is designed to attach earthing wire to the rail via Red Dot Rack Earthing Washer. Use for cable size <10mm<sup>2</sup>.

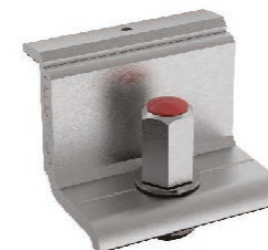
ITEM NO.	MATERIAL	SPEC	FINISH
305-0003	AL 6005-T5	59x20x27mm	Anodized



### Rail Cable Clip

Red Dot Rack Rail Cable Clip is made from aluminium. Accommodates up to 4 cables. Designed exclusively to clip onto the Red Dot Rack Rail.

ITEM NO.	MATERIAL	SPEC	FINISH
353-0001	AL 6005-T5	41x15x12mm	Anodized



### Universal End Clamp (Earthing)

Red Dot Rack Universal 50mm End Clamp with earthing is designed to fit all module types from 30mm to 50mm. Easily change the clamp height within second while working on the roof.

ITEM NO.	MATERIAL	SPEC	FINISH
302-0018	AL 6005-T5	30~50mm	Anodized



### Fixed End Clamp

Red Dot Rack Fixed End Clamp is designed to fit all module types from 30mm to 50mm. Height of the End Clamp is fixed.

ITEM NO.	MATERIAL	SPEC	FINISH
302-0013	AL 6005-T5	50x38x30mm	Anodized
302-0014	AL 6005-T5	50x38x35mm	Anodized
302-0015	AL 6005-T5	50x38x40mm	Anodized
302-0016	AL 6005-T5	50x38x45mm	Anodized
302-0017	AL 6005-T5	50x38x50mm	Anodized



### Universal End Clamp

Red Dot Rack Universal 50mm End Clamp is designed to fit all module types from 30mm to 50mm. Easily change the clamp height within seconds while working on the roof.

ITEM NO.	MATERIAL	SPEC	FINISH
302-0001	AL 6005-T5	30~50mm	Anodized



### End Clamp for Thin Film

Red Dot Rack End Clamp for Thin Film is designed to fit PV thin film module and frameless glass modules.

ITEM NO.	MATERIAL	SPEC	FINISH
302-0009	AL 6005-T5	41x15x12mm	Anodized



### Universal Mid Clamp (No Earthing)

Red Dot Rack Universal Mid Clamp is specially designed to fit all module types from 30mm to 50mm thickness. Uses custom designed spring to load the clamp while installing the module for ease of installation.

ITEM NO.	MATERIAL	SPEC	FINISH
301-0002	AL 6005-T5	50x38x32mm	Anodized



### Universal Mid Clamp (Earthing)

Red Dot Rack 50mm Universal Mid Clamp with earthing is designed to fit all module types from 30mm to 50mm thickness. Uses custom designed spring to load the clamp while installing the module for ease of installation.

ITEM NO.	MATERIAL	SPEC	FINISH
301-0013	AL 6005-T5	50x38x32mm	Anodized



### Fixed Mid Clamp (No Earthing)

Red Dot Rack 50mm Fixed Mid Clamp without earthing is designed to fit module types from 30mm to 40mm thickness.

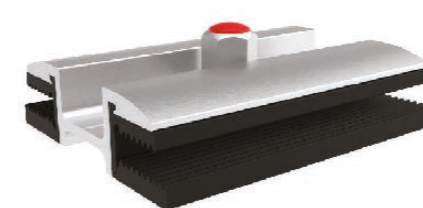
ITEM NO.	MATERIAL	SPEC	FINISH
301-0012	AL 6005-T5	50x38x32mm	Anodized



### Fixed Mid Clamp (Earthing)

Red Dot Rack 50mm Fixed Mid Clamp with earthing is designed to fit module types from 30mm to 40mm thickness.

ITEM NO.	MATERIAL	SPEC	FINISH
301-0011	AL 6005-T5	50x38x32mm	Anodized



### Mid Clamp for Thin Film

Red Dot Rack Mid Clamp for Thin Film is designed to fit PV thin film module and frameless glass modules.

ITEM NO.	MATERIAL	SPEC	FINISH
301-0005	AL 6005-T5	80x58x18mm	Anodized



### Cable Clip

Red Dot Rack Solar Panel Cable Clip is made from high quality stainless steel 304. Used to position wires on solar arrays. Can fit 4 x 4mm cable or 2x 6mm cable.

ITEM NO.	MATERIAL	SPEC	FINISH
111-0003	SUS-304	16.5x33mm	Painting



### End Cap

Red Dot Rack Poly Carbonate Rail End Cap for Red Dot Rack Rails is designed to fit both left and right end of Red Dot Rack Rail profiles. Ultra-durable.

ITEM NO.	MATERIAL	SPEC
112-0001	PVC	30x45x18mm



### Roofing Screw for Wooden Purlin

Roofing Screw is designed for use with Tile brackets for drilling into wooden frames. Can be used for L-Bracket for entering wood.

ITEM NO.	MATERIAL	SPEC
100-0006	C-1022	St 6.3x75mm



### Roofing Screw for Steel Purlin

Roofing Screw (self drilling point, hex head, metal-bonded washer, C-1022 steel, dacromat) is designed for use with metal roofs and steel purlins.

ITEM NO.	MATERIAL	SPEC
100-0003	C-1022	St 6.3x65mm



### Hanger Bolt for Wood Purlin

20mm M10 Hanger Bolt with attached EPDM round rubber seal and Red Dot Rack bracket is used for drilling into wooden purlins and frames. Is held in place with pieces of M10 nuts.

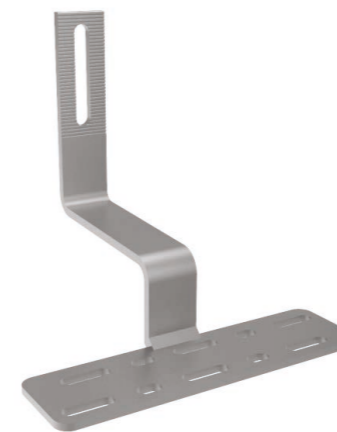
ITEM NO.	MATERIAL	SPEC
320-0001	SUS304	110mm thread



### Hanger Bolt for Steel Purlin

20mm M10 Hanger Bolt with attached EPDM round rubber seal and Red Dot Rack bracket is used for fixing steel purlins and frames. Is held in place with 3 pieces of M10 nuts.

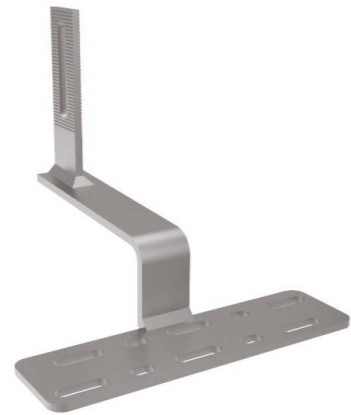
ITEM NO.	MATERIAL	SPEC
320-0002	SUS304	110mm thread



### Pan Tile (Portrait)

Pan Tile Bracket is designed for use with standard tiled rooftops and connects modules in portrait to Red Dot Rack High Strength Rail. Bracket only; does not come with T-Head Rail Connector.

ITEM NO.	MATERIAL	SPEC	FINISH
105-0001	SUS304	Base 50x180mm	Sand blasting



### Pan Tile (Landscape)

Pan Tile Bracket is designed for use with standard tiled rooftops and connects modules in landscape to Red Dot Rack High Strength Rail. Bracket only; does not come with T-Head Rail Connector.

ITEM NO.	MATERIAL	SPEC	FINISH
105-0002	SUS304	Base 50x180mm	Sand blasting



### Rosemary Bracket

Rosemary Bracket is designed for use with standard tile rooftops and connects to Red Dot Rack High Strength Rail. Bracket only; does not come with T-Head Rail Connector.

ITEM NO.	MATERIAL	SPEC	FINISH
105-0005	SUS304	Base 30x80mm	Sand blasting



### Adjustable Pan Tile Bracket

Rosemary Bracket is designed for use with standard tile rooftops and connects modules in portrait to Red Dot Rack High Strength Rail. Can adjust position of L-Bracket. Bracket only; does not come with T-Head Rail Connector.

ITEM NO.	MATERIAL	SPEC	FINISH
105-0004	SUS304	Base 30x80mm	Sand blasting



### High L-Bracket for M8 Screw

Red Dot Rack High L-Bracket for M8 Screw is designed for use with various Klip-Lok brackets. Connects brackets and rails.

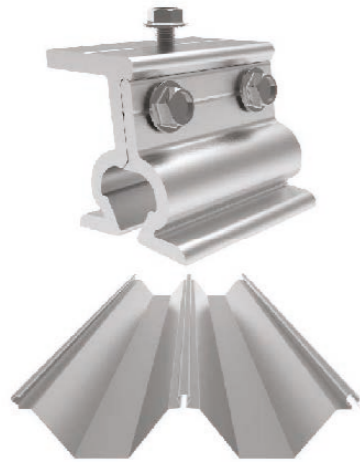
ITEM NO.	MATERIAL	SPEC	FINISH
304-0004	AL 6005-T5	45x40x225mm	Anodized



### High L-Bracket for Screw ST6.3mm with Rubber

Red Dot Rack High L-Bracket for screw ST6.3mm with EPDM rubber seal is designed for use with various metal roof types. Does not come with roofing screw. Please select roofing screw to suit your application.

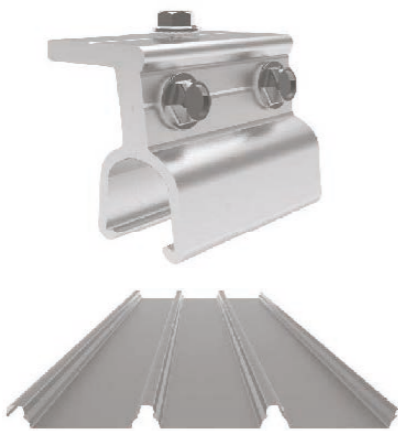
ITEM NO.	MATERIAL	SPEC	FINISH
304-0003	AL 6005-T5	45x40x227mm	Anodized



### Klip-Lok 600 Bracket

Red Dot Rack Klip-Lok 600 Bracket is designed for commercial Klip-Lok 600 sheet rooftops. Comes with M8 screw for fixing to Red Dot Rack M8 hole L-Bracket.

ITEM NO.	MATERIAL	SPEC	FINISH
314-0003	AL 6005-T5	80x70x65mm	Anodized



### Klip-Lok 700 Bracket

Red Dot Rack Klip-Lok 700 Bracket is designed for commercial Klip-Lok 700 sheet rooftops. Comes with M8 screw for fixing to Red Dot Rack M8 hole L-Bracket.

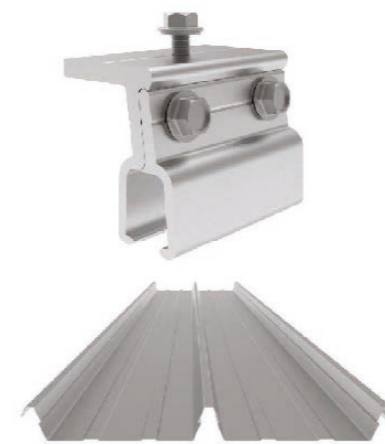
ITEM NO.	MATERIAL	SPEC	FINISH
314-0001	AL 6005-T5	80x62x65mm	Anodized



### Klip-Lok V750 Bracket

Red Dot Rack Klip-Lok V750 Bracket is designed for commercial Klip-Lok V750 sheet rooftops. Comes with M8 screw for fixing to Red Dot Rack M8 hole L-Bracket.

ITEM NO.	MATERIAL	SPEC	FINISH
314-0005	AL 6005-T5	80x70x5mm	Anodized



### Klip-Lok 406 Bracket

Red Dot Rack Klip-Lok 406 Bracket is designed for commercial Klip-Lok 406 sheet rooftops. Comes with M8 screw for fixing to Red Dot Rack M8 hole L-Bracket.

ITEM NO.	MATERIAL	SPEC	FINISH
314-0002	AL 6005-T5	80x75x65mm	Anodized



### One-Way Standing Seam Bracket

Red Dot Rack One-Way Standing Seam bracket is designed for commercial snaplock sheet rooftops. Comes with M8 screw for fixing to Red Dot Rack M8 hole L-Bracket.

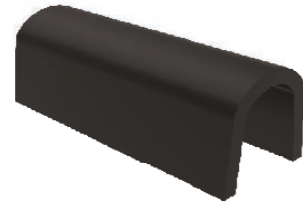
ITEM NO.	MATERIAL	SPEC	FINISH
314-0008	AL 6005-T5	80x47x63mm	Anodized



### Universal Standing Seam Bracket

Red Dot Rack Universal Standing Seam bracket is designed for commercial snaplock sheet rooftops. Comes with M8 screw for fixing to Red Dot Rack M8 hole L-Bracket.

ITEM NO.	MATERIAL	SPEC	FINISH
314-0005	AL 6005-T5	80x70x51mm	Anodized



### Rubber Gasket

Klip-Lok EPDM Rubber Gasket is designed to fit inside Klip-Lok bracket to protect the metal sheet. This item is optional.

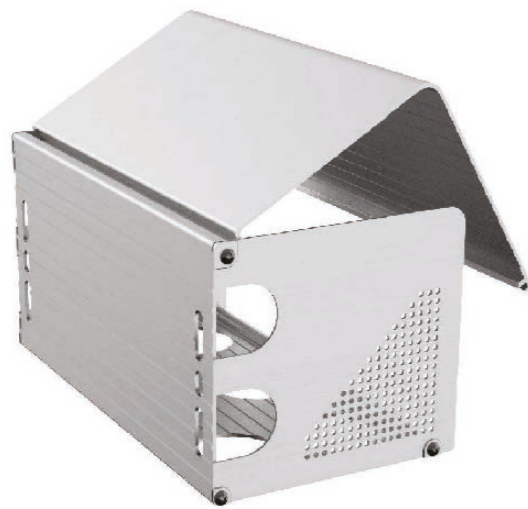
ITEM NO.	MATERIAL	SPEC
102-0004	EPDM	Klip-Lok 700
102-0005	EPDM	Klip-Lok 406



### Tek Driver Adaptor

Red Dot Rack 12mm-deep thought Tek Driver Adaptor made from highly durable Chromium-vanadium steel (CrV) is designed for tightening all our clamps and connectors. Total length is 80mm.

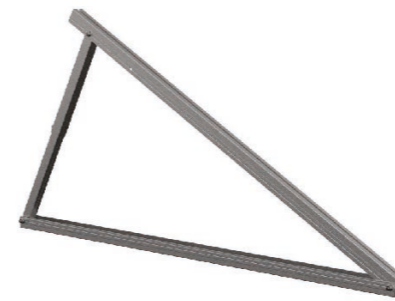
ITEM NO.	MATERIAL	SPEC
127-0008	CrV	12x80mm



### DC Isolator Cover

Red Dot Rack high quality anodized protective DC isolator cover for all solar panel installation solutions.

ITEM NO.	MATERIAL	SPEC	FINISH
325-0002	AL 6005-T5	152x133x265mm	Anodized



### Foldable Tripod Tilt Kit

Red Dot Rack Foldable Tripod Leg is adjustable from 10 to 60 degrees. Each leg completes one tripod. Must add rubber seal, corrugated bracket or Klip-Lok bracket depending on roof type. Designed for 60 and 72 cell modules (1.5m and 1.8m tripod length).

ITEM NO.	MATERIAL	SPEC	FINISH
317-0001	AL 6005-T5	1500mm; 10~30°	Anodized
317-0002	AL 6005-T5	1500mm; 30~60°	Anodized
317-0006	AL 6005-T5	1500mm; 10~30°	Black anodized
317-0007	AL 6005-T5	1500mm; 30~60°	Black anodized



### Foldable XL Tripod Tilt Kit

Red Dot Rack Foldable Tripod Leg is adjustable from 10 to 60 degrees. Each leg completes one tripod. Must add rubber seal, corrugated bracket or Klip-Lok bracket depending on roof type. Designed for 72 cell modules (1.5m and 1.8m tripod length).

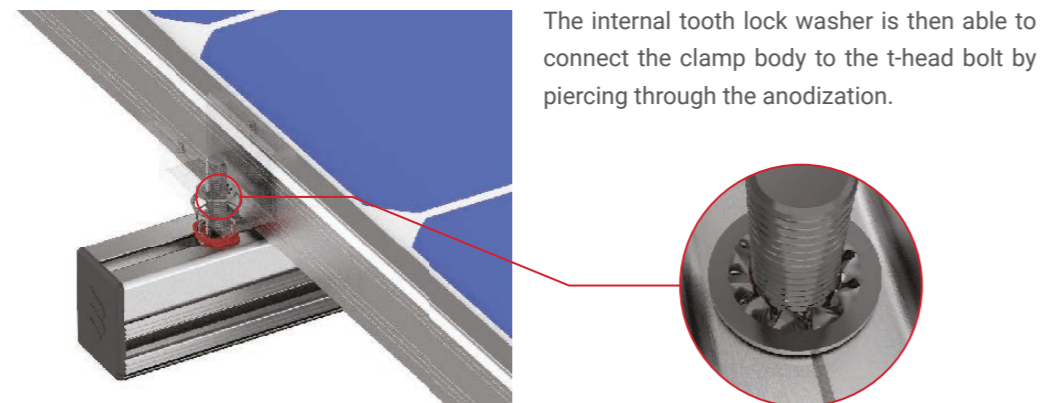
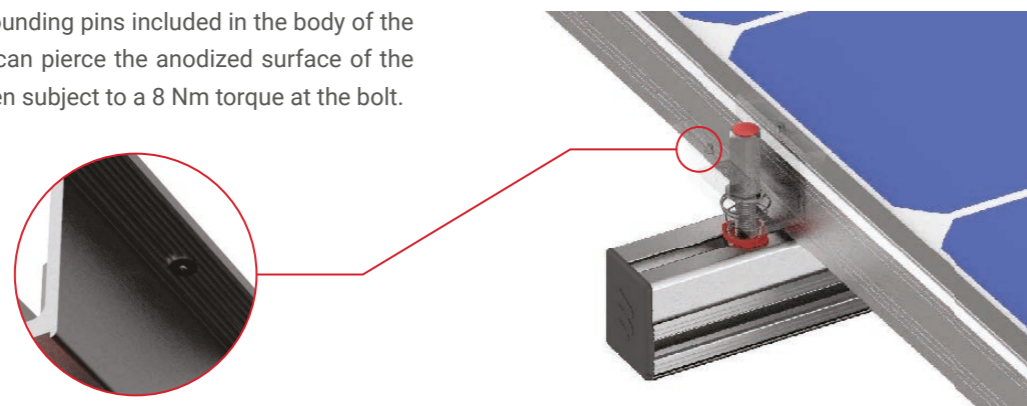
ITEM NO.	MATERIAL	SPEC	FINISH
317-0003	AL 6005-T5	1800mm; 10~30°	Anodized
317-0004	AL 6005-T5	1800mm; 30~60°	Anodized
317-0008	AL 6005-T5	1800mm; 10~30°	Black anodized
317-0009	AL 6005-T5	1800mm; 30~60°	Black anodized



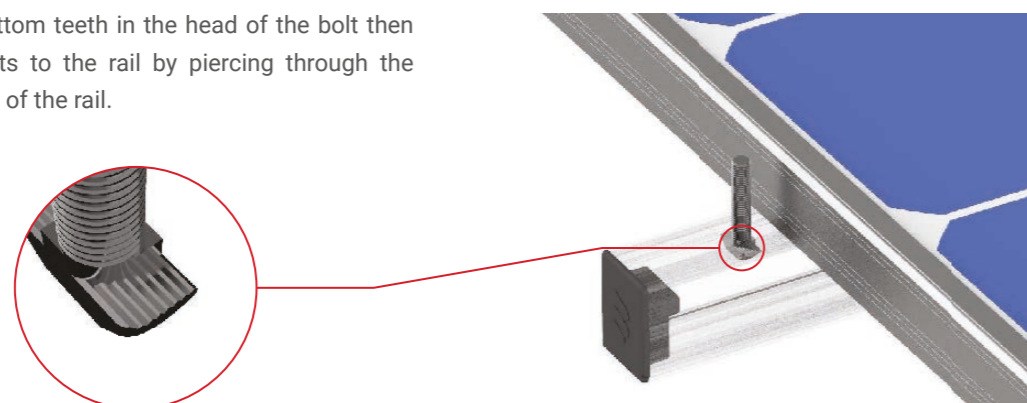
# RED DOT RACK 3 STAGE GROUNDING SYSTEM

The Red Dot Rack clamps with included earthing involves a 3 step grounding process. They are assembled using the same process as our classic clamps. They can fit all types of solar PV panels ranging from 30mm to 50mm.

The grounding pins included in the body of the clamp can pierce the anodized surface of the rail when subject to a 8 Nm torque at the bolt.

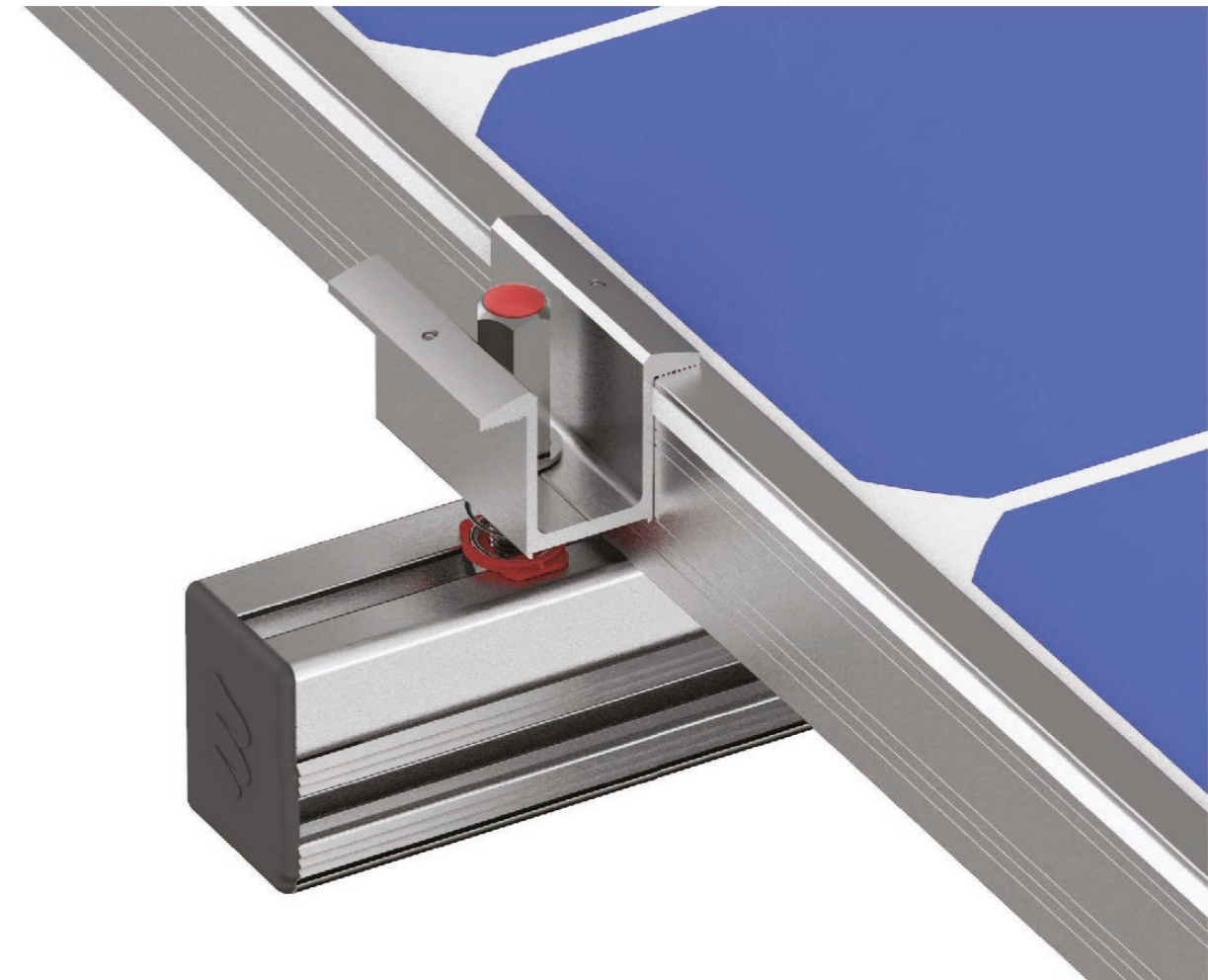


The bottom teeth in the head of the bolt then connects to the rail by piercing through the coating of the rail.



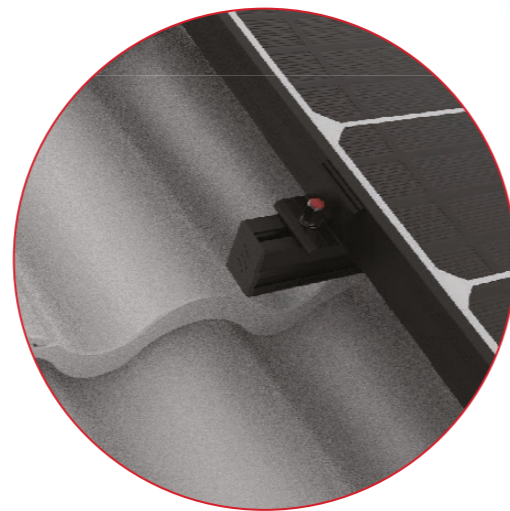
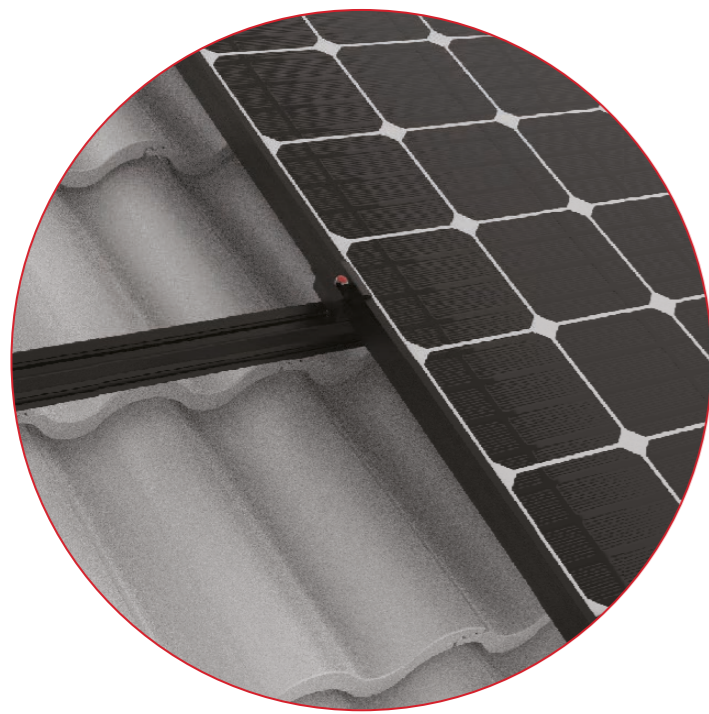
This strong earthing bond allows you to ground your structure with minimal effort while maintaining a safe operation. Our method ensure a strong, effort-free, 1 ohms earthing bond between the solar panels and your solar structure.

This earthing process is also available on our Red Dot Rack Black Series.



**“Reliable and effort-free  
grounding to ensure the safe  
earthing of your structure.”**



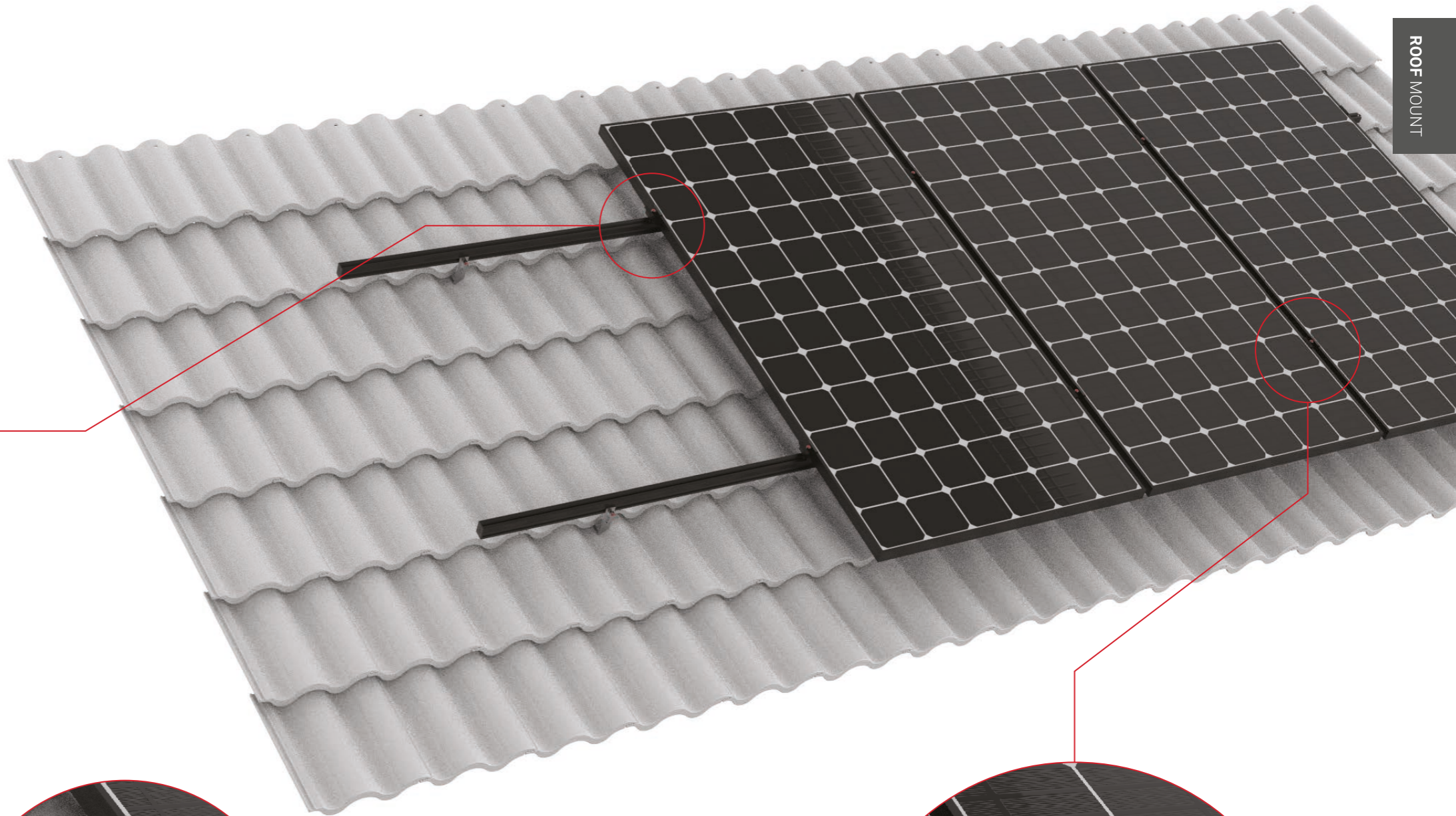
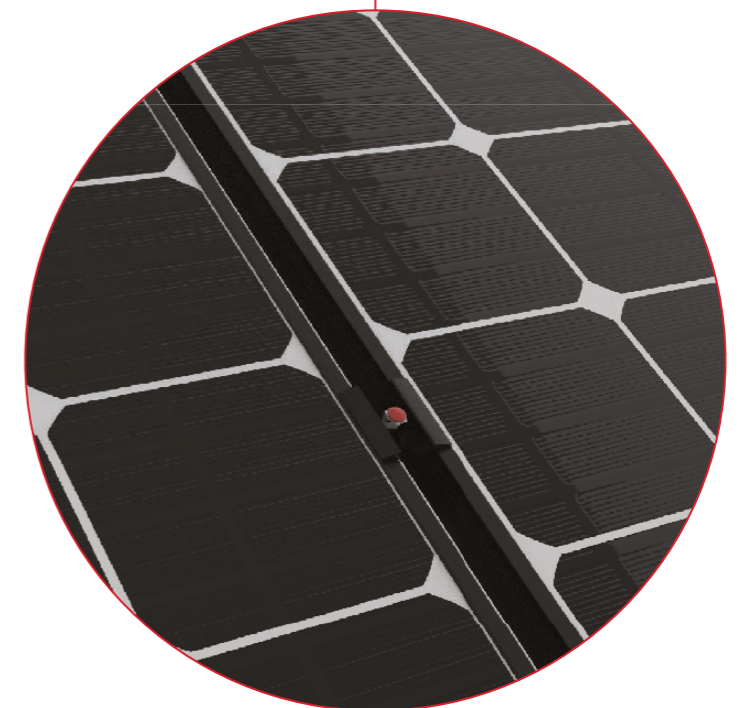


## RED DOT RACK BLACK SERIES

The Red Dot Rack Black Series has been conceived with design in mind. The black anodized finish applied to the railing and clamps will fit perfectly with black panel in design-conscious residential installations. The anodization will withstand harsh weather conditions and will ensure a minimal visual footprint for years.

The Red Dot Rack Black Series comprises rail, mid, and end clamps.

“Black anodized solutions for your modern all-black design finish.”





### Black Series Universal End Clamp

Red Dot Rack black anodized Universal 50mm End Clamp is designed to fit all module types from 30mm to 50mm. Easily change the clamp height within seconds while working on the roof.

ITEM NO.	MATERIAL	SPEC	FINISH
302-0011	AL 6005-T5	30~50mm	Black Anodized



### Black Series Universal Mid Clamp (No Earthing)

Red Dot Rack black anodized Universal Mid Clamp is specially designed to fit all module types from 30mm to 50mm thickness. Uses custom designed spring to load the clamp while installing the module for ease of installation.

ITEM NO.	MATERIAL	SPEC	FINISH
301-0008	AL 6005-T5	50x38x32mm	Black Anodized



### Black Series Universal Mid Clamp (Earthing)

Red Dot Rack 50mm black anodized Universal Mid Clamp with earthing is designed to fit all module types from 30mm to 50mm thickness. Uses custom designed spring to load the clamp while installing the module for ease of installation.

ITEM NO.	MATERIAL	SPEC	FINISH
301-0007	AL 6005-T5	50x38x32mm	Black Anodized

### Black Series Rail

Red Dot Rack High Strength black anodized Rail is designed for multiple roof types. Used with Red Dot Rack clamps and brackets. For custom length, please call for more support. Check manuals for bracket spacing.

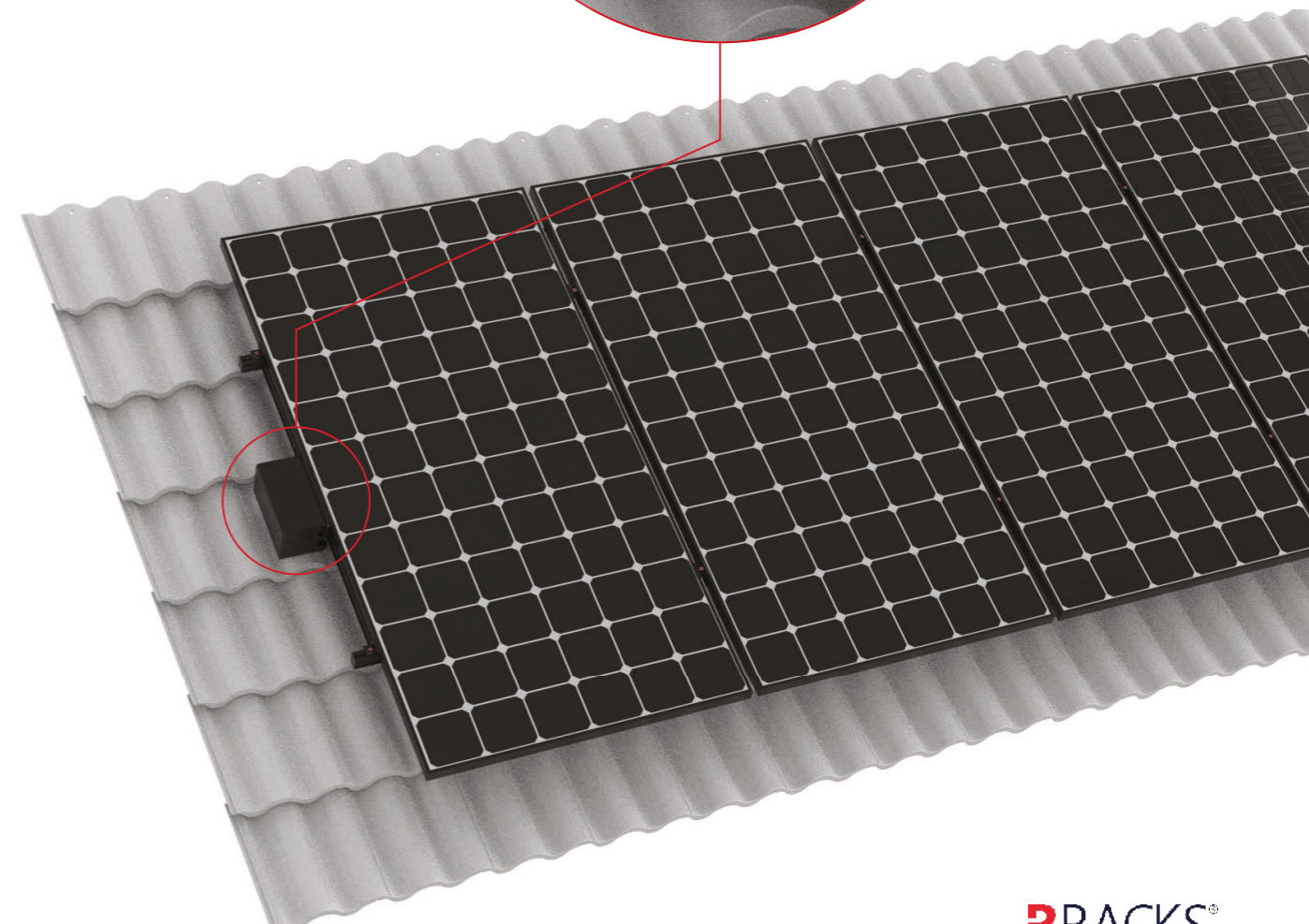
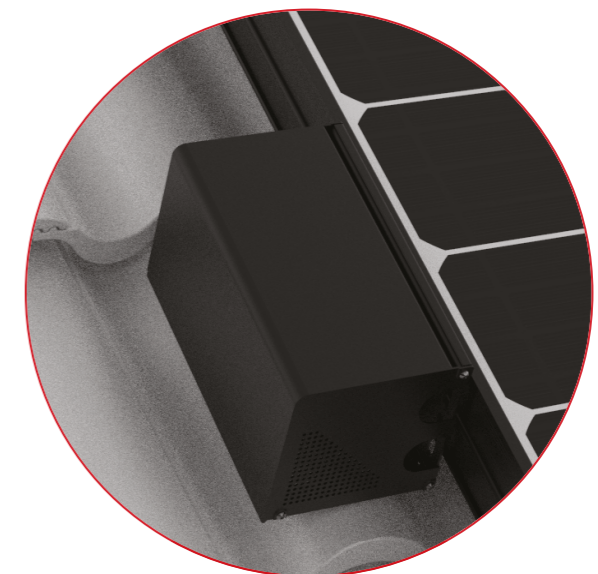
ITEM NO.	MATERIAL	SPEC	FINISH
300-0024	AL 6005-T5	4200mm	Black Anodized
300-0025	AL 6005-T5	3200mm	Black Anodized
300-0026	AL 6005-T5	5200mm	Black Anodized
300-0027	AL 6005-T5	2110mm	Black Anodized
300-0029	AL 6005-T5	4400mm	Black Anodized
300-0038	AL 6005-T5	2200mm	Black Anodized



### Black Series DC Isolator Cover

Red Dot Rack high quality black anodized protective DC isolator cover for all black solar installation solutions.

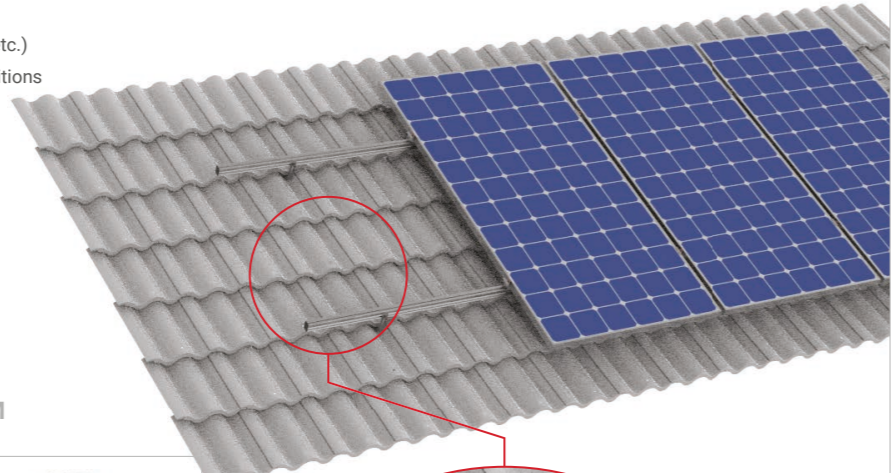
ITEM NO.	MATERIAL	SPEC	FINISH
325-0004	AL 6005-T5	152x133x265mm	Black Anodized



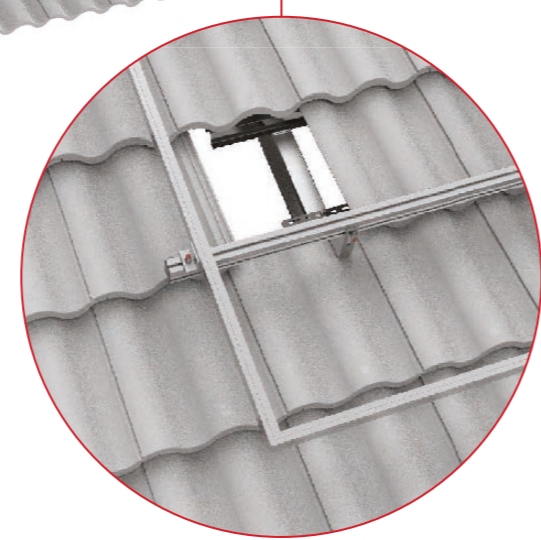
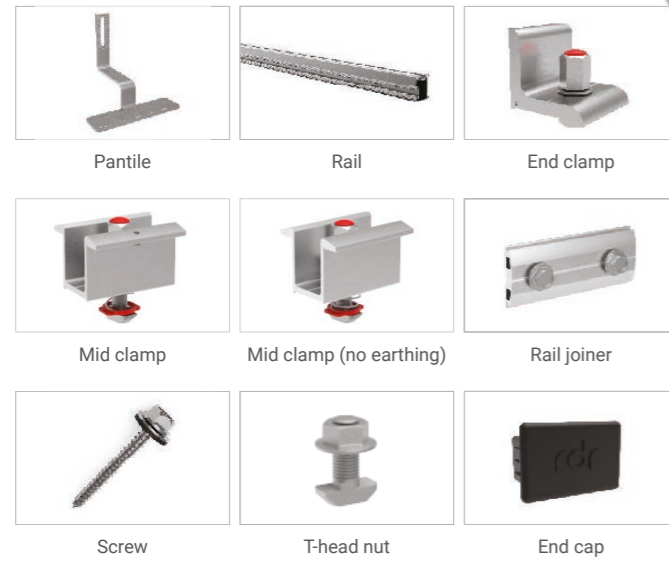
# ROOF KITS

## Tile Roof Kit

**MATERIAL** Mixture material (AL6005-T5, SS304, PVC, etc.)  
**WARRANTY** 12 years as subject to the terms and conditions  
**WIND SPEED** Refer to installation manual



### ROOF KIT COMPONENTS & BOM



#### 4x Mod Tile Roof

ITEM NO.	DESCRIPTION	QTY
105-0001	Pan tile roof bracket	8
300-0001	RDR rail piece, 4200mm	2
302-0001	End clamp	4
301-0002	Mid clamp, no earthing	6
303-0001	Rail joiner	2
319-0007	T-Head connector	8
100-0011	Roofing screw	16
112-0001	End cap	4
301-0013	Earthing mid clamp	3

#### 3x Mod Tile Roof

ITEM NO.	DESCRIPTION	QTY
105-0001	Pan tile roof bracket	6
300-0002	RDR rail piece, 3200mm	2
302-0001	End clamp	4
301-0002	Mid clamp, no earthing	4
303-0001	Rail joiner	2
319-0007	T-Head connector	6
100-0011	Roofing screw	12
112-0001	End cap	4
301-0013	Earthing mid clamp	2

#### 4x Mod Tile Roof w/ Rail 2.1m

ITEM NO.	DESCRIPTION	QTY
105-0001	Pan tile roof bracket	8
300-0005	RDR rail piece, 2110mm	4
302-0001	End clamp	4
301-0002	Mid clamp, no earthing	6
303-0001	Rail joiner	4
319-0007	T-Head connector	8
100-0011	Roofing screw	16
112-0001	End cap	4
301-0013	Earthing mid clamp	4

#### 4x Mod Tile Roof Earthing

ITEM NO.	DESCRIPTION	QTY
105-0001	Pan tile roof bracket	8
300-0001	RDR rail piece, 4200mm	2
302-0001	End clamp	4
301-0002	Mid clamp, no earthing	3
303-0001	Rail joiner	2
319-0007	T-Head connector	8
100-0011	Roofing screw	16
112-0001	End cap	4
301-0013	Earthing mid clamp	3

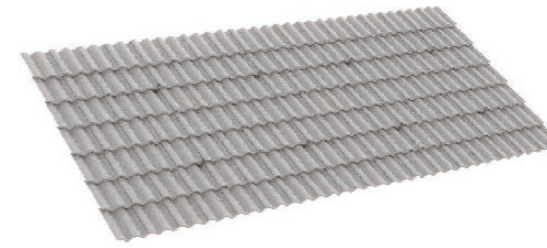
#### 3x Mod Tile Roof Earthing

ITEM NO.	DESCRIPTION	QTY
105-0001	Pan tile roof bracket	6
300-0002	RDR rail piece, 3200mm	2
302-0001	End clamp	4
301-0002	Mid clamp, no earthing	2
303-0001	Rail joiner	2
319-0007	T-Head connector	6
100-0011	Roofing screw	12
112-0001	End cap	4
301-0013	Earthing mid clamp	2

#### 3x Mod Tile Roof Earthing w/ Rail 2.1m

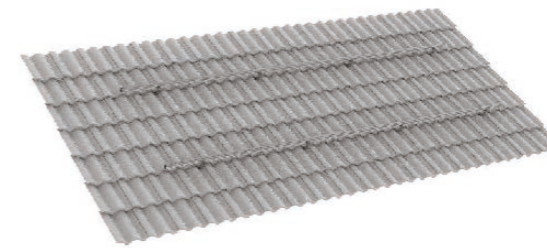
ITEM NO.	DESCRIPTION	QTY
105-0001	Pan tile roof bracket	8
300-0005	RDR rail piece, 2110mm	2
302-0001	End clamp	4
301-0002	Mid clamp, no earthing	3
303-0008	Rail joiner	2
319-0007	T-Head connector	8
100-0006	Roofing screw	16
353-0001	Alu rail cable clip	8
301-0013	Earthing mid clamp	4
305-0003	Earthing lug	2

## Tile Roof Kit Installation



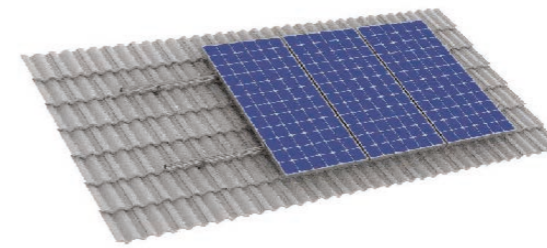
### STEP 1

Install the pan tiles on the roof.



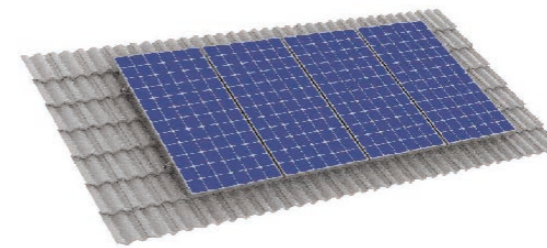
### STEP 2

Fix the rails to the pan tiles using the T-head connector.



### STEP 3

Place panels onto the rails and fix with mid clamps and end clamps.

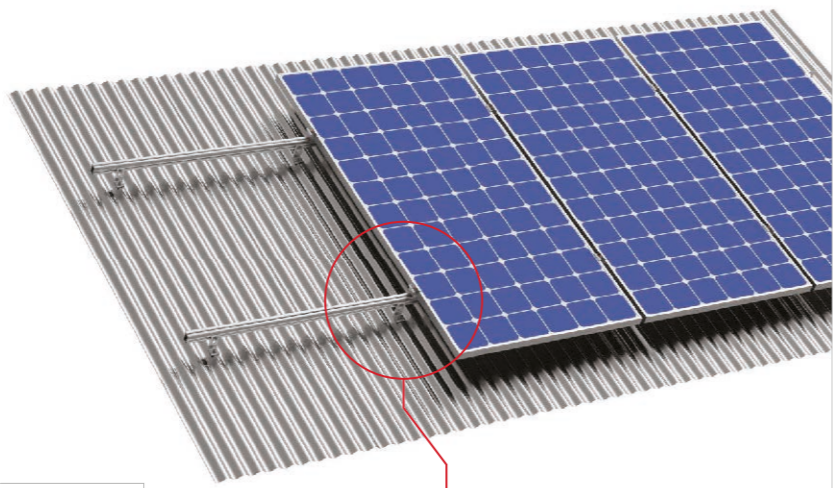


### STEP 4

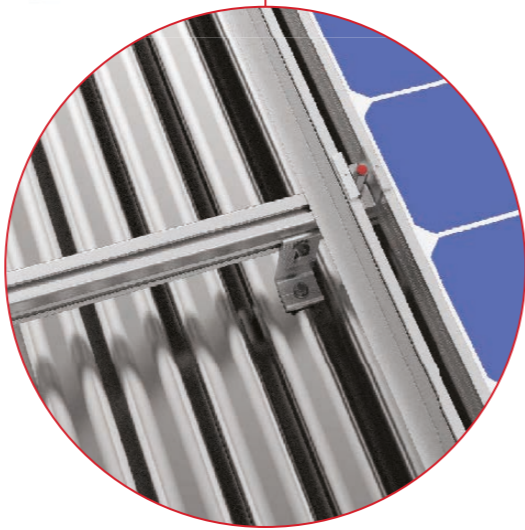
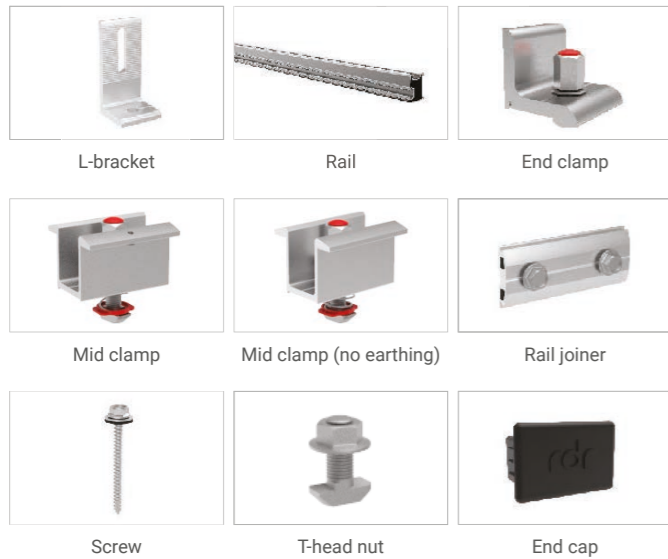
Finish the installation.

## Tin Roof Kit

**MATERIAL** Mixture material (AL6005-T5, SUS304, PVC, etc.)  
**WARRANTY** 12 years as subject to the terms and conditions  
**WIND SPEED** Refer to installation manual



### ROOF KIT COMPONENTS & BOM



#### 4x Mod Tin Roof

ITEM NO.	DESCRIPTION	QTY
304-0001	L-bracket	10
300-0001	RDR rail piece, 4200mm	2
302-0001	End clamp	4
301-0002	Mid clamp, no earthing	6
303-0001	Rail joiner	2
319-0007	T-Head connector	10
100-0011	Roofing screw	10
112-0001	End cap	4

#### 3x Mod Tin Roof

ITEM NO.	DESCRIPTION	QTY
304-0001	L-bracket	8
300-0002	RDR rail piece, 3200mm	2
302-0001	End clamp	4
301-0002	Mid clamp, no earthing	4
303-0001	Rail joiner	2
319-0007	T-Head connector	8
100-0011	Roofing screw	8
112-0001	End cap	4

#### 4x Mod Tin Roof w/ Rail 2.1m

ITEM NO.	DESCRIPTION	QTY
304-0001	L-bracket	10
300-0005	RDR rail piece, 2110mm	4
302-0001	End clamp	4
301-0002	Mid clamp, no earthing	6
303-0001	Rail joiner	4
319-0007	T-Head connector	10
100-0011	Roofing screw	8
112-0001	End cap	4

#### 4x Mod Tin Roof Earthing

ITEM NO.	DESCRIPTION	QTY
304-0001	L-bracket	10
300-0001	RDR rail piece, 4200mm	2
302-0001	End clamp	4
301-0002	Mid clamp, no earthing	3
303-0001	Rail joiner	2
319-0007	T-Head connector	10
100-0011	Roofing screw	10
112-0001	End cap	4
301-0013	Earthing mid clamp, built-in	3

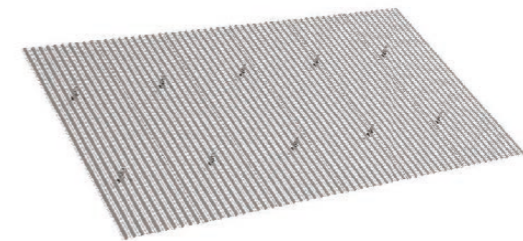
#### 3x Mod Tin Roof Earthing

ITEM NO.	DESCRIPTION	QTY
304-0001	L-bracket	8
300-0002	RDR rail piece, 3200mm	2
302-0001	End clamp	4
301-0002	Mid clamp, no earthing	2
303-0001	Rail joiner	2
319-0007	T-Head connector	8
100-0011	Roofing screw	8
112-0001	End cap	4
301-0013	Earthing mid clamp, built-in	2

#### 3x Mod Tin Roof Earthing w/ Rail 2.1m

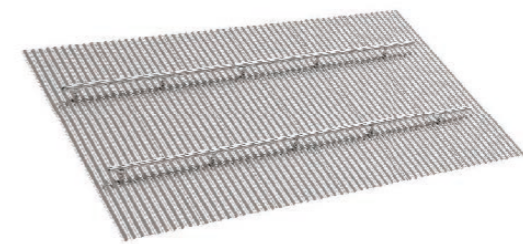
ITEM NO.	DESCRIPTION	QTY
304-0001	L-bracket	8
300-0005	RDR rail piece, 2110mm	4
302-0001	End clamp	4
301-0002	Mid clamp, no earthing	3
303-0008	Rail joiner	4
319-0007	T-Head connector	8
100-0006	Roofing screw	8
353-0001	Alu rail cable clip	8
301-0013	Earthing mid clamp, built-in	3
305-0003	Earthing lug	2

## Tin Roof Kit Installation



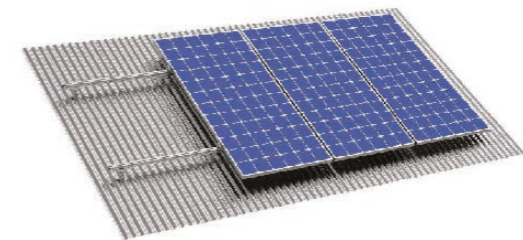
### STEP 1

Install the L-bracket on the roof.



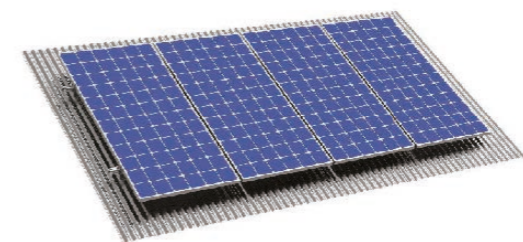
### STEP 2

Fix the rails to the bracket using the T-head connector.



### STEP 3

Place panels onto the rails and fix with mid clamps and end clamps.

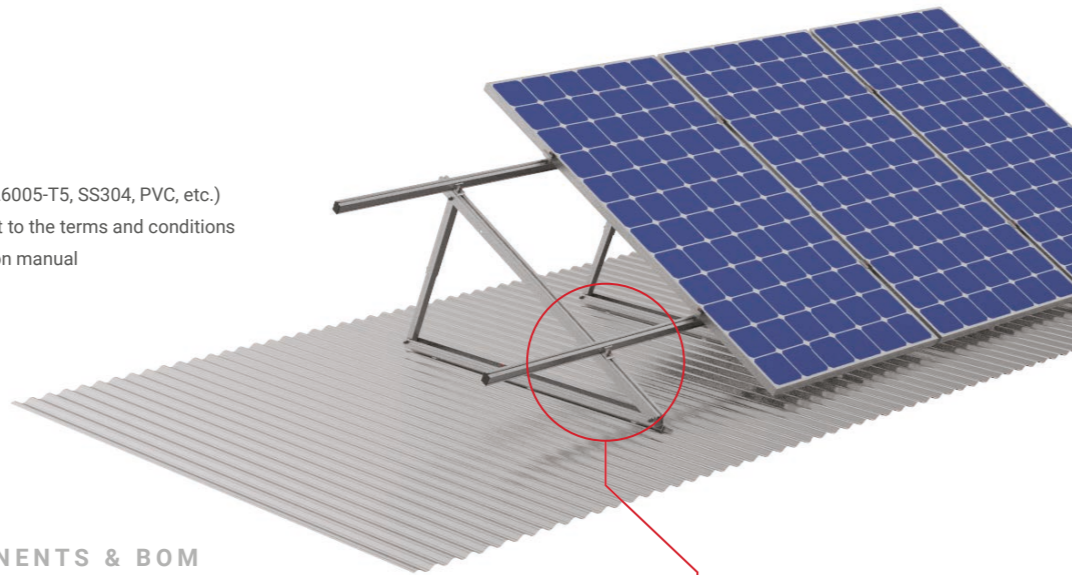


### STEP 4

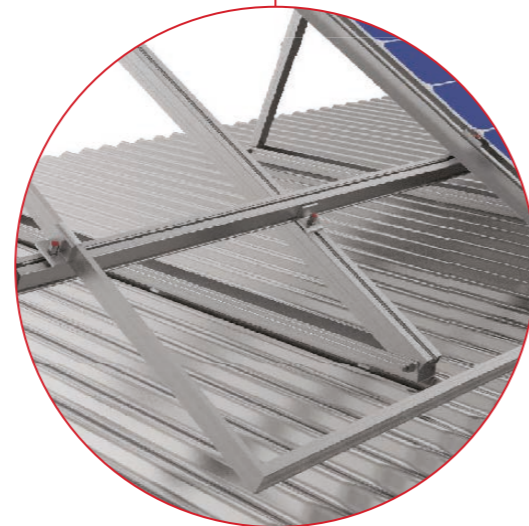
Finish the installation.

### Tilt Roof Kit

**MATERIAL** Mixture material (AL6005-T5, SS304, PVC, etc.)  
**WARRANTY** 12 years as subject to the terms and conditions  
**WIND SPEED** Refer to installation manual



#### ROOF KIT COMPONENTS & BOM



#### 4x Mod 10~30° Tilt Roof Kit

ITEM NO.	DESCRIPTION	QTY
317-0001	Folder tripod, 10~30°	4
300-0001	RDR rail piece, 4200mm	2
301-0002	Mid clamp, no earthing	6
302-0001	End clamp	4
303-0001	Rail joiner	2
112-0001	End cap	2
100-0006	Roofing screw	12
102-0001	EDPM rubber	12

#### 4x Mod 30~60° Tilt Roof Kit

ITEM NO.	DESCRIPTION	QTY
317-0002	Folder tripod, 30~60°	4
300-0001	RDR rail piece, 4200mm	2
301-0002	Mid clamp, no earthing	6
302-0001	End clamp	4
303-0001	Rail joiner	2
112-0001	End cap	2
100-0006	Roofing screw	12
102-0001	EDPM rubber	12

#### 4x Mod 30~60° Tilt Roof Kit w/ Rail 2.1m

ITEM NO.	DESCRIPTION	QTY
317-0001	Folder tripod, 10~30°	4
300-0005	RDR rail piece, 2110mm	4
301-0002	Mid clamp, no earthing	6
302-0001	End clamp	4
303-0001	Rail joiner	4
112-0001	End cap	2
100-0006	Roofing screw	12
102-0001	EDPM rubber	12

#### 4x Mod 10~30° Tilt Roof Earthing

ITEM NO.	DESCRIPTION	QTY
317-0001	Folder tripod, 10~30°	4
300-0001	RDR rail piece, 4200mm	2
301-0002	Mid clamp, no earthing	3
302-0001	End clamp	4
303-0001	Rail joiner	2
112-0001	End cap	2
100-0006	Roofing screw	12
102-0001	EDPM rubber	12
301-0013	Earthing mid clamp, built-in	3

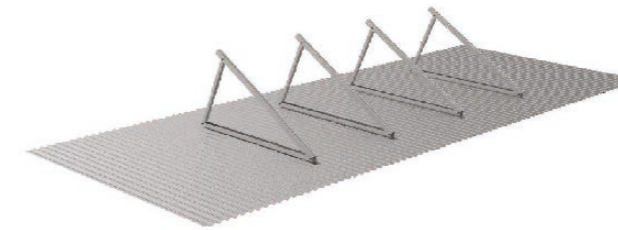
#### 4x Mod 30~60° Tilt Roof Kit Earthing

ITEM NO.	DESCRIPTION	QTY
317-0002	Folder tripod, 30~60°	4
300-0001	RDR rail piece, 4200mm	2
301-0002	Mid clamp, no earthing	3
302-0001	End clamp	4
303-0001	Rail joiner	2
112-0001	End cap	2
100-0006	Roofing screw	12
102-0001	EDPM rubber	12
301-0013	Earthing mid clamp, built-in	3

#### 4x Mod 30~60° Tilt Roof Kit

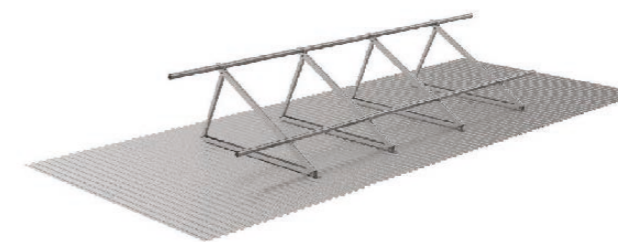
ITEM NO.	DESCRIPTION	QTY
317-0001	Folder tripod, 10~30°	4
300-0001	RDR rail piece, 4200mm	2
301-0002	Mid clamp, no earthing	3
302-0001	End clamp	4
303-0001	Rail joiner	2
112-0001	End cap	4
100-0006	Roofing screw	12
102-0001	EDPM rubber	12
301-0013	Earthing mid clamp, built-in	3

### Tilt Roof Kit Installation



#### STEP 1

Install the foldable tripod onto the roof sheet.



#### STEP 2

Fix the rails to the foldable tripod using the cross bracket.



#### STEP 3

Place panels onto the rails and fix using mid clamps and end clamps.

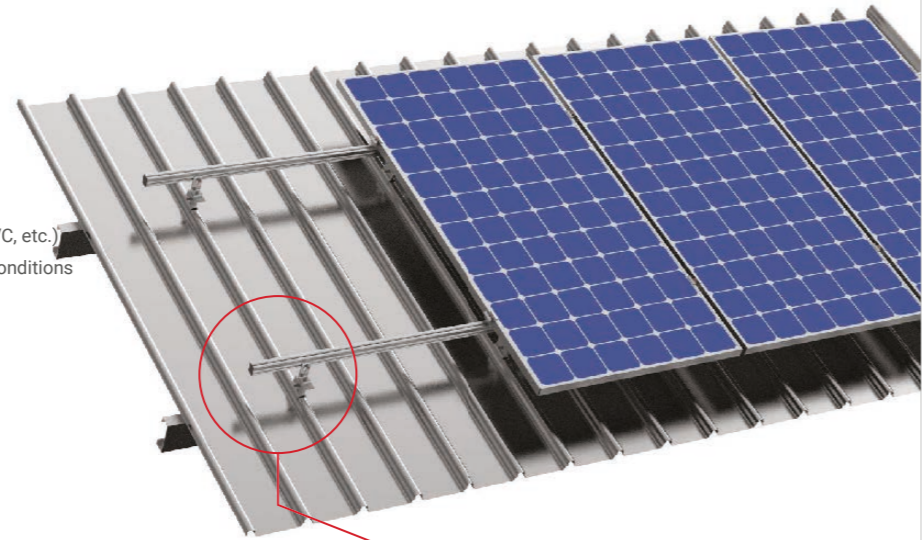


#### STEP 4

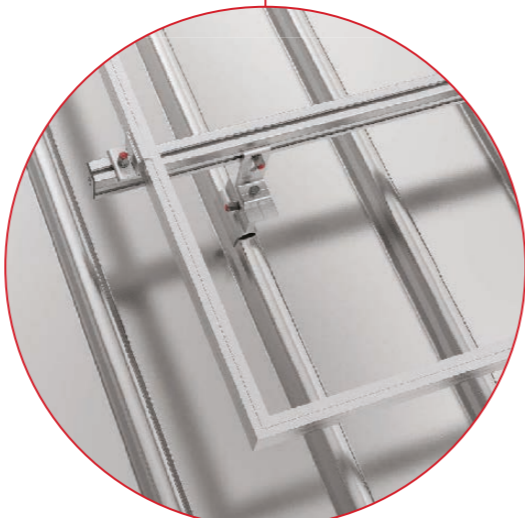
Finish the installation.

### Klip-Lok Roof Kit

**MATERIAL** Mixture material (AL6005-T5, SS304, PVC, etc.)  
**WARRANTY** 12 years as subject to the terms and conditions  
**WIND SPEED** Refer to installation manual



#### ROOF KIT COMPONENTS & BOM



#### Klip-Lok 700

ITEM NO.	DESCRIPTION	QTY
314-0001	Klip-lok 700 bracket	10
304-0002	L-bracket	10
300-0001	RDR rail piece, 4200mm	2
301-0002	Mid clamp, no earthing	6
303-0001	Rail joiner	2
302-0001	End clamp	4
319-0007	T-head connector	10
112-0001	End cap	4

#### Klip-Lok 406

ITEM NO.	DESCRIPTION	QTY
314-0002	Klip-lok 406 bracket	10
304-0002	L-bracket	10
300-0001	RDR rail piece, 4200mm	2
301-0002	Mid clamp, no earthing	6
303-0001	Rail joiner	2
302-0001	End clamp	4
319-0007	T-head connector	10
112-0001	End cap	4

#### V750 Kit

ITEM NO.	DESCRIPTION	QTY
314-0005	V750 bracket	12
304-0002	L-bracket	12
300-0001	RDR rail piece, 4200mm	2
301-0002	Mid clamp, no earthing	3
303-0001	Rail joiner	2
302-0001	End clamp	4
319-0007	T-head connector	12
112-0001	End cap	4
301-0013	Earthing mid clamp, built-in	3

#### Klip-Lok 700 Earthing

ITEM NO.	DESCRIPTION	QTY
314-0001	Klip-lok 700 bracket	10
304-0002	L-bracket	10
300-0001	RDR rail piece, 4200mm	2
301-0002	Mid clamp, no earthing	3
303-0001	Rail joiner	2
302-0001	End clamp	4
319-0007	T-head connector	10
112-0001	End cap	4
301-0013	Earthing mid clamp, build-in	3

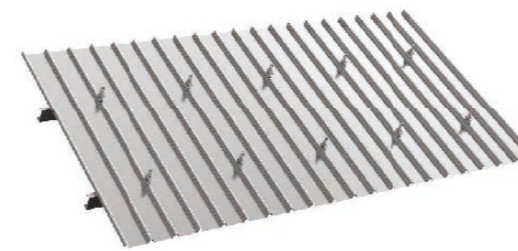
#### Klip-Lok 406 Earthing

ITEM NO.	DESCRIPTION	QTY
314-0002	Klip-lok 406 bracket	10
304-0002	L-bracket	10
300-0001	RDR rail piece, 4200mm	2
301-0002	Mid clamp, no earthing	3
303-0001	Rail joiner	2
302-0001	End clamp	4
319-0007	T-head connector	10
112-0001	End cap	4
301-0013	Earthing mid clamp, build-in	3

#### V600 Kit

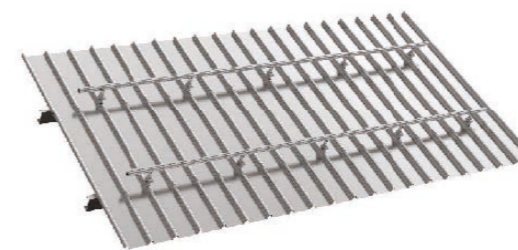
ITEM NO.	DESCRIPTION	QTY
314-0003	V600 bracket	14
300-0001	L-bracket	14
301-0002	RDR rail piece, 4200mm	2
302-0001	Mid clamp, no earthing	3
303-0001	Rail joiner	2
112-0001	End clamp	4
100-0006	T-head connector	14
102-0001	End cap	4
301-0013	Earthing mid clamp, built-in	3

### Klip-Lok Roof Kit Installation



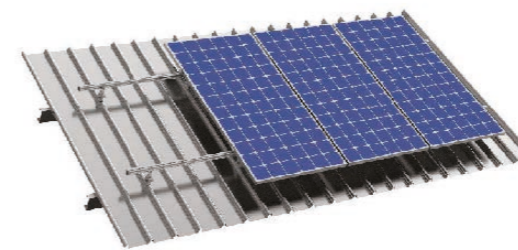
#### STEP 1

Fix the Klip-lok bracket onto the roof sheet.



#### STEP 2

Fix the rails to the Klip-lok bracket using the L-bracket and the T-head connector.



#### STEP 3

Place the panels onto the rails and fix using mid clamps and end clamps.



#### STEP 4

Finish the installation.

# GROUND MOUNT

# HYBRID GROUND MOUNT

**HYBRID SYSTEM**

**MATERIAL** Mixture material (AL6005-T5, SS304, PVC, etc.)

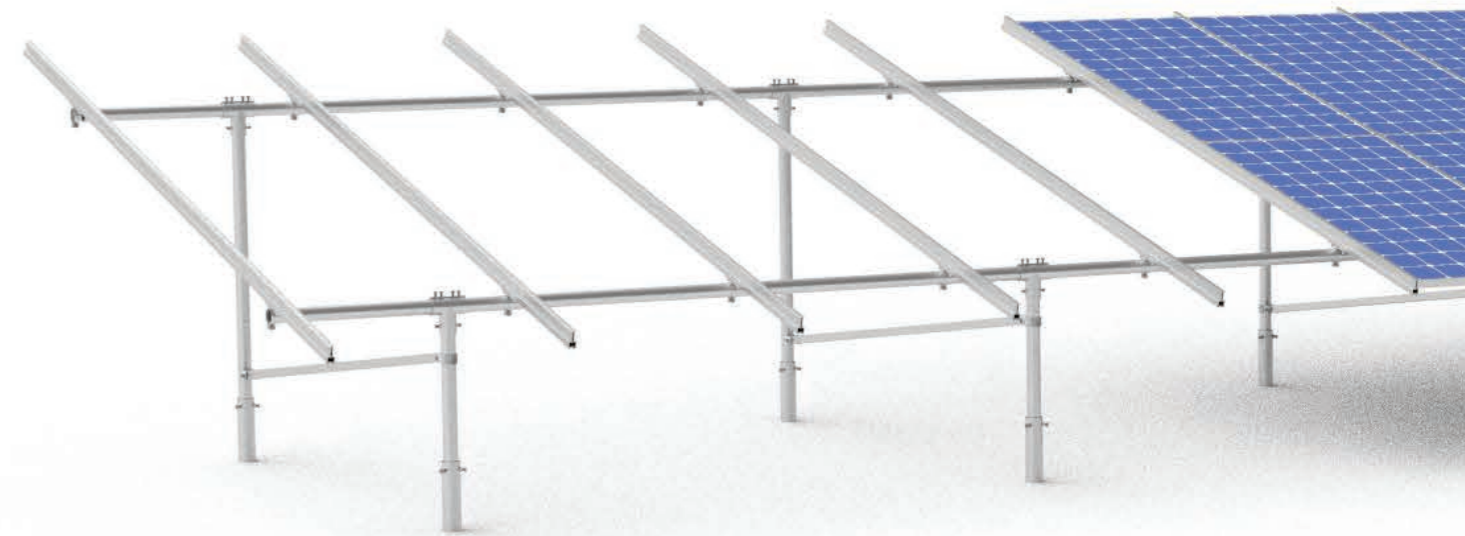
**WARRANTY** 12 years as subject to the terms and conditions

**WIND SPEED** Refer to installation manual

The RRACKS™ hybrid ground mount system, carefully designed for ease of installation and longevity. Made from a combination of our 6000 series aluminium and our 80µm hot dipped galvanized steel to make sure your structure can withstand all the harsh weather condition you might encounter.

This structure can be mounted on concrete block or planted into the ground using our RRACKS™ ground screws selection.

GROUND MOUNT



**GROUND KIT BOM**

**RRACKS™ Hybrid Portrait**

ITEM NO.	DESCRIPTION	QTY
310-0001	Cross pipe connector	26
309-0001	T-connector	10
312-0001	Diagonal brace sleeve	10
100-0021	Hex screw, M12x15	30
112-0003	Slotted end cap	26
100-0023	Self-drilling screw	26
307-0011	Front leg piece	5
307-0008	Rear leg piece	5
307-0006	Cross pipe piece, 3.7m	3
308-0015	Slotted rail piece	13
313-0002	Brace arm piece	5
110-0002	Ground screw	10
307-0005	Cross pipe piece, 2.7m	4

**RRACKS™ Hybrid Landscape Flange-Based**

ITEM NO.	DESCRIPTION	QTY
307-0001	Front leg, ground mount	5
307-0002	Rear leg, ground mount	5
309-0001	T-connector	10
307-0004	Cross pipe piece, 3.2m	4
307-0003	Cross pipe piece, 2.5m	4
310-0001	Cross pipe connector	24
308-0002	Clamp rail piece	12
313-0001	Brace arm	5
311-0001	Flange base post	10
302-0001	End clamp	24
301-0002	Mid clamp, no earthing	36
312-0001	Diagonal brace sleeve	10

**RRACKS™ Hybrid Portrait Steel Clamp**

ITEM NO.	DESCRIPTION	QTY
308-0013	Galvanised rail piece, 5.4m	8
308-0014	Galvanised rail piece, 1.5m	4
308-0009	Truss piece, 3.15m	5
309-0002	Pivot bracket	15
307-0009	Oval end tube, 1.34m	5
307-0010	Oval end tube, 6.67m	5
312-0001	Diagonal brace sleeve	5
313-0002	Brace arm piece, 1.4m	5
302-0006	Fix end clamp	8
301-0003	Mid clamp	44
319-0002	Batten-truss connector	8
303-0002	Rail joiner	8
311-0001	Flange base post	10



### Steel Tube

Steel Tube Cross Section Pipe is used in the cross section of the system to support the RRACKS™ Rails. Pipe will connect and join via the T-Pipe Connector. Custom length available.

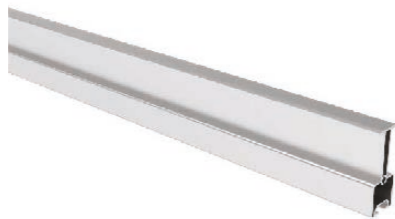
ITEM NO.	MATERIAL	SPEC	FINISH
307-0001	Steel	Ø60x700mm	Galvanised
307-0002	Steel	Ø60x1370mm	Galvanised
307-0003	Steel	Ø60x2500mm	Galvanised
307-0004	Steel	Ø60x3200mm	Galvanised



### T-Pipe Connector

RRACKS™ T-Pipe Connector Piece is designed to connect each steel frame together for both horizontal and vertical sections. Comes with 7 pieces of M10 hex nuts for fixing.

ITEM NO.	MATERIAL	SPEC	FINISH
309-0001	SUS304	Ø64mm	Galvanised



### Slot Rail Piece

RRACKS™ Aluminium Slot Rail is designed to fit with our steel frame, making it a 'hybrid' steel/aluminium structure. For assembly, use the rail with the Cross Pipe Connector and easily slide in the modules from top to bottom. Custom length available.

ITEM NO.	MATERIAL	SPEC	FINISH
308-0001	AL 6005-T5	Rail length 3912mm	Anodized



### Clamped Rail

RRACKS™ Aluminium Slot Rail is designed to fit with our steel frame, making it a 'hybrid' steel/aluminium structure. For assembly, use a connector and clamp the modules using RRACKS™ Clamps. Custom length available.

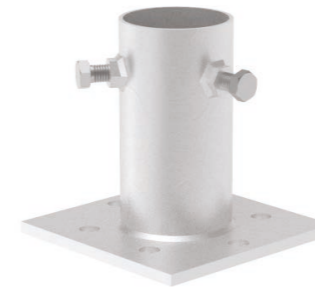
ITEM NO.	MATERIAL	SPEC	FINISH
308-0002	AL 6005-T5	Rail length 4200mm	Anodized



### Brace Arm

Brace Arm piece is designed for cross bracing the upper frame north, west, east and west. Can be joined to a steel pipe using the 312-0001 Diagonal Brace Sleeve.

ITEM NO.	MATERIAL	SPEC	FINISH
313-0001	Steel	402x2430mm	Galvanised



### Bottom Cap Piece

Bottom Cap Piece is used to connect the RRACKS™ frame to the base of the fixing of either concrete ballast or various ground screw fixings. Part includes 3 pieces of M12 hex screws for fixing the steel frame in place.

ITEM NO.	MATERIAL	SPEC	FINISH
311-0001	SUS304	Ø70mm	Galvanised



### Rail-to-Cross Pipe Connector

Rail-to-Cross Pipe Connector Assembly allows the connection of the module rail to the steel pipe frame. It is compatible with various module rails, including our aluminium and steel rails. Part includes all fixings.

ITEM NO.	MATERIAL	SPEC	FINISH
310-0001	AL 6005-T5	Ø60x30mm	Anodized



### Diagonal Braces Sleeve

Diagonal Braces Sleeve Assembly is used for adding square steel bracing arm between steel pipe framing. Comes with M10 nuts and bolts for its front and rear ends.

ITEM NO.	MATERIAL	SPEC	FINISH
312-0001	AL 6005-T5	Ø62mm	Anodized



# ALUMINIUM GROUND MOUNT

## ALUMINIUM SYSTEM

**MATERIAL** AL6005-T5

**WARRANTY** 12 years as subject to the terms and conditions

**WIND SPEED** Refer to installation manual

The full aluminium RRACKS™ ground mount system. The full system is made from aluminium to insure lightness and ease of installation even in remote areas. Being entirely aluminium, you won't ever have to worry about rust being an issue on your installation.

This structure can be mounted on concrete block or planted into the ground using our RRACKS™ ground screws selection.





### Aluminium Truss

Acts as a rigid support for the RRACKS™ aluminium ground mount rail.

ITEM NO.	MATERIAL	SPEC	FINISH
327-0001	AL 6005-T5	60x100mm	Anodized



### Aluminium Ground Mount Rail

Acts as a support for the solar panels. Needs to be connected to the aluminium truss.

ITEM NO.	MATERIAL	SPEC	FINISH
308-0002	AL 6005-T5	50x100mm	Anodized



### Foot Pivot Bracket

Supports the RRACKS™ aluminium brace arm, can be connected to the ground screws or a concrete slab.

ITEM NO.	MATERIAL	SPEC	FINISH
350-0001	AL 6005-T5	1 connection	Anodized
350-0002	AL 6005-T5	2 connections	Anodized



### Head Pivot Bracket

Attaches the RRACKS™ aluminium brace arm to the aluminium truss.

ITEM NO.	MATERIAL	SPEC	FINISH
351-0001	AL 6005-T5	1 connection	Anodized
351-0002	AL 6005-T5	2 connections	Anodized



### Aluminium Brace Arm

Used to support the RRACKS™ aluminium truss, custom length according to the angle and size of the panels.

ITEM NO.	MATERIAL	SPEC	FINISH
352-0001	AL 6005-T5	60x60mm	Anodized



### Aluminium Rail Clamp

Used to attach the RRACKS™ Ground Mount Rail to the aluminium truss.

ITEM NO.	MATERIAL	FINISH
334-0001	AL 6005-T5	Anodized



### Aluminium Truss Assembly

RRACKS™ Aluminium full truss assembly, for 60 or 72 cells panels.

#### BOM

ITEM NO.	DESCRIPTION	QTY
350-0002	Foot pivot bracket 2 connections	7
350-0001	Foot pivot bracket, 1 connection	7
352-0001	Brace arm piece	7
352-0002	Brace arm piece	7
352-0003	Brace arm	7
351-0001	Head pivot bracket	3
327-0001	Alu truss piece	7

# GROUND SCREWS

## Standard Thread (Flange Type)

RRACKS™ standard thread ground screw for ground mount. Annual and radial 6-hole flange type head.



ITEM NO.	MATERIAL	SPEC	FINISH
110-001-12	Steel	1200mm	Galvanised
110-001-16	Steel	1600mm	Galvanised
110-001-18	Steel	1800mm	Galvanised
110-001-20	Steel	2000mm	Galvanised
110-001-25	Steel	2500mm	Galvanised

## Standard Thread (Open Tube)

RRACKS™ standard thread ground screw for ground mount. Open tube type head.



ITEM NO.	MATERIAL	SPEC	FINISH
110-002-12	Steel	1200mm	Galvanised
110-002-16	Steel	1600mm	Galvanised
110-002-18	Steel	1800mm	Galvanised
110-002-20	Steel	2000mm	Galvanised
110-002-25	Steel	2500mm	Galvanised

## 2 Spiral Blades (Flange Type)

RRACKS™ two spiral thread ground screw for ground mount. Annual and radial 6-hole flange type head.



ITEM NO.	MATERIAL	SPEC	FINISH
110-003-12	Steel	1200mm	Galvanised
110-003-16	Steel	1600mm	Galvanised
110-003-18	Steel	1800mm	Galvanised
110-003-20	Steel	2000mm	Galvanised
110-003-25	Steel	2500mm	Galvanised

## 2 Spiral Blades (Open Tube)

RRACKS™ two spiral thread ground screw for ground mount. Open tube type head.



ITEM NO.	MATERIAL	SPEC	FINISH
110-003-12	Steel	1200mm	Galvanised
110-003-16	Steel	1600mm	Galvanised
110-003-18	Steel	1800mm	Galvanised
110-003-20	Steel	2000mm	Galvanised
110-003-25	Steel	2500mm	Galvanised

## 4 Continuous Spiral Blades (Flange Type)

RRACKS™ four continuous spiral thread ground screw for ground mount. Annual and radial 6-hole flange type head.



ITEM NO.	MATERIAL	SPEC	FINISH
110-005-12	Steel	1200mm	Galvanised
110-005-16	Steel	1600mm	Galvanised
110-005-18	Steel	1800mm	Galvanised
110-005-20	Steel	2000mm	Galvanised
110-005-25	Steel	2500mm	Galvanised

## 4 Continuous Spiral Blades (Open Tube)

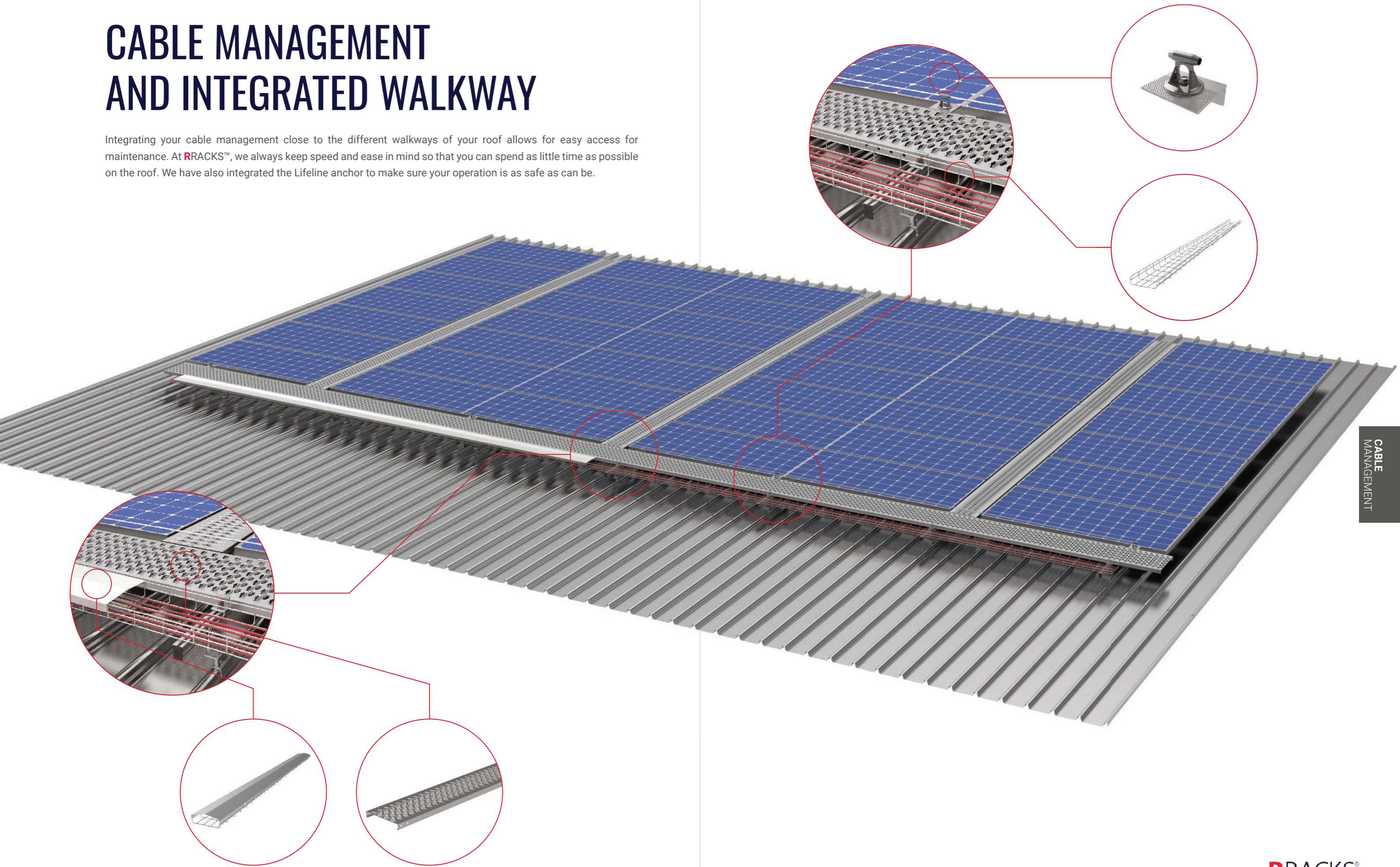
RRACKS™™ four continuous spiral thread ground screw for ground mount. Open tube type head.



ITEM NO.	MATERIAL	SPEC	FINISH
110-006-12	Steel	1200mm	Galvanised
110-006-16	Steel	1600mm	Galvanised
110-006-18	Steel	1800mm	Galvanised
110-006-20	Steel	2000mm	Galvanised
110-006-25	Steel	2500mm	Galvanised

# CABLE MANAGEMENT AND INTEGRATED WALKWAY

Integrating your cable management close to the different walkways of your roof allows for easy access for maintenance. At RRACKS™, we always keep speed and ease in mind so that you can spend as little time as possible on the roof. We have also integrated the Lifeline anchor to make sure your operation is as safe as can be.



CABLE  
MANAGEMENT

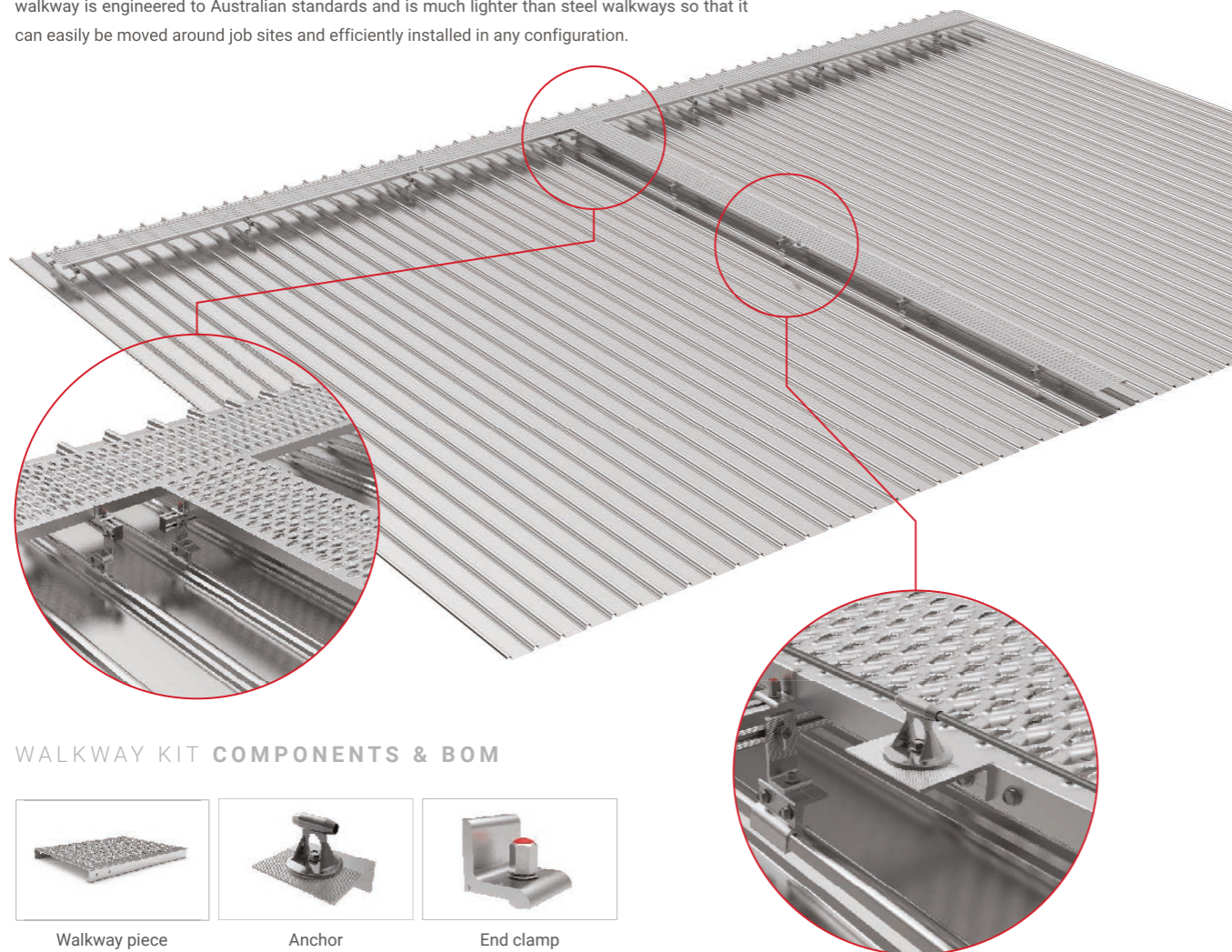
## Walkway Kit

**MATERIAL** Mixture material (AL5052-H32, SS304, PVC, etc.)

**WARRANTY** 12 years as subject to the terms and conditions

**WIND SPEED** Refer to installation manual

**RRACKS™** walkway is made from our 5000 series aluminium to prevent corrosion and to ensure your roof won't have any rust problems due to weather and aging over time. Our aluminium walkway is engineered to Australian standards and is much lighter than steel walkways so that it can easily be moved around job sites and efficiently installed in any configuration.



### WALKWAY KIT COMPONENTS & BOM



Walkway piece



Anchor



End clamp



Walkway joiner



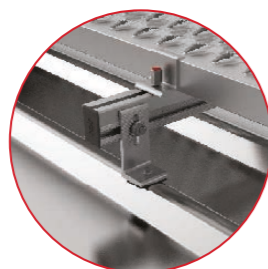
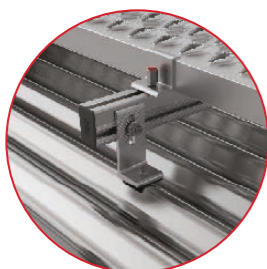
Screw



T-head nut



End cap



This product can also be attached to corrugated roof sheets, trapezoidal roof sheets and klip-lok roof sheets.



## Walkway Piece

Anti-slip fully aluminium walkway piece. Attach to the Red Dot Rack aluminium rail to ensure a safe pathway while working on your roof.

ITEM NO.	MATERIAL	SPEC
355-0007	AL 5052-H32	300x3900mm
355-0006	AL 5052-H32	390x3900mm
355-0008	AL 5052-H32	600x3900mm



## Walkway Joiner

Used to join 2 pieces of walkway together as well as provide extra support for anchor attachment.

ITEM NO.	MATERIAL	FINISH
355-0004	AL 6005-T5	Galvanised



## Anchor

Lifeline anchor to ensure safety while working on the roof. Needs to be attached to a post or rigid structure

ITEM NO.	MATERIAL
130-0001	AISI 316



## Fixed End Clamp

The walkway piece can be securely attached to the roof using the Red Dot Rack fixed end clamp.

ITEM NO.	MATERIAL	SPEC	FINISH
302-0013	AL 6005-T5	50x38x30mm	Anodized
302-0014	AL 6005-T5	50x38x35mm	Anodized
302-0015	AL 6005-T5	50x38x40mm	Anodized
302-0016	AL 6005-T5	50x38x45mm	Anodized

### Klip-Lok 700 Walkway Kit

ITEM NO.	DESCRIPTION	QTY
314-0001	Klip-lok 700 bracket	24
304-0002	L-bracket	24
300-0001	RDR rail piece	12
319-0007	T-head connector	24
302-0015	Fixed end clamp, 40mm	24
112-0001	End cap	24
355-0006	Walkway piece, 4m	5
355-0004	Walkway joiner	6
355-0005	Walkway L bracket	3

### Corrugated Walkway Kit

ITEM NO.	DESCRIPTION	QTY
100-0003	Roofing screw	24
304-0001	L-bracket	24
300-0001	RDR rail piece	12
319-0007	T-head connector	24
302-0015	Fixed end clamp, 40mm	24
112-0001	End cap	24
355-0006	Walkway piece, 4m	5
355-0004	Walkway joiner	6
355-0005	Walkway L bracket	3

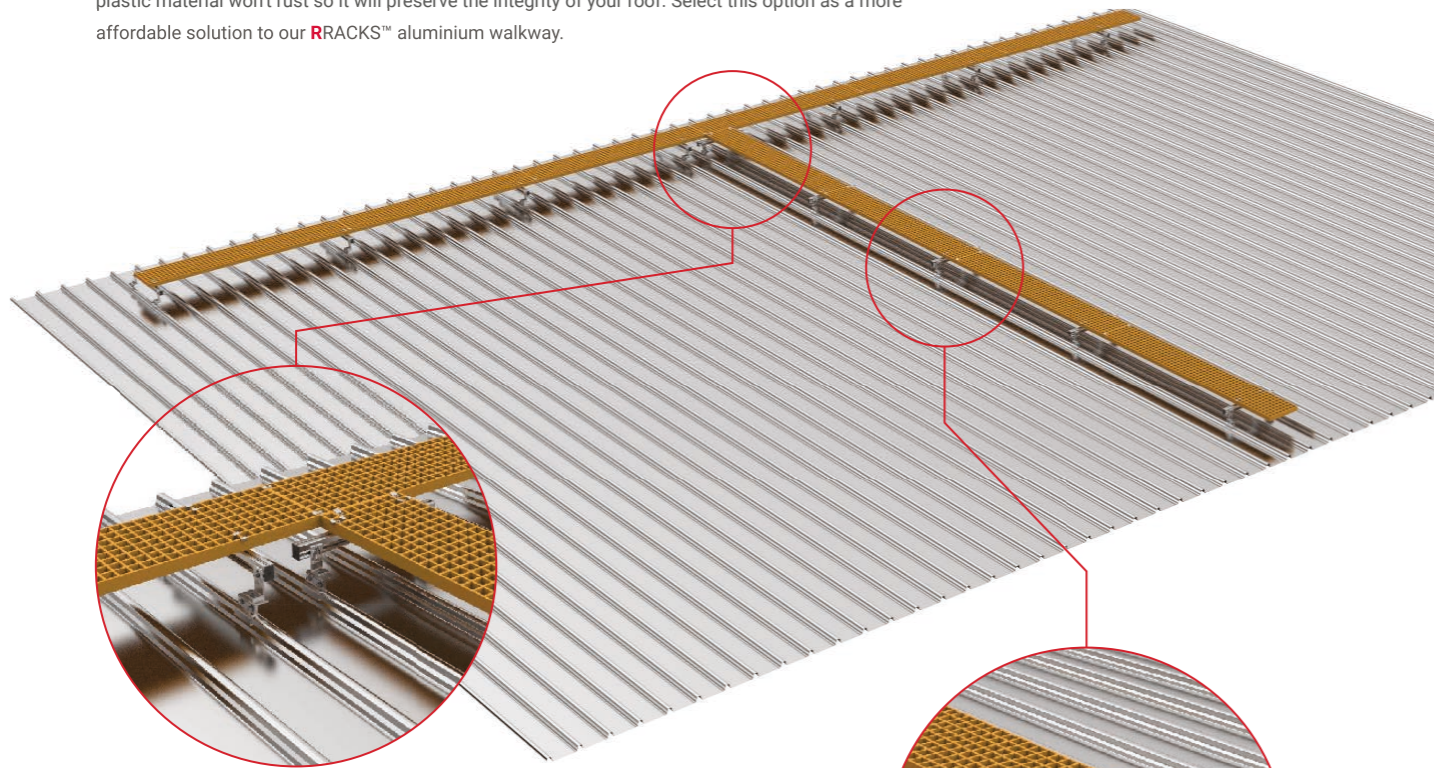
### Trapezoidal Walkway Kit

ITEM NO.	DESCRIPTION	QTY
24	Roofing screw	24
24	L-bracket	24
12	RDR rail piece	12
24	T-head connector	24
24	Fixed end clamp, 40mm	24
24	End cap	24
5	Walkway piece, 4m	5
6	Walkway joiner	6
3	Walkway L bracket	3

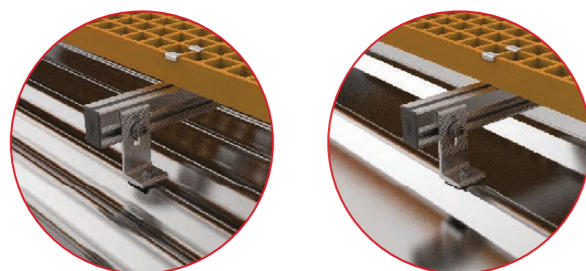
## FRP Walkway Kit

**MATERIAL** Mixture material (AL6005-T5, SS304, PVC, etc.)  
**WARRANTY** 6 years as subject to the terms and conditions  
**WIND SPEED** Refer to installation manual

Fiber-Glass Reinforced Plastic walkway, can be fitted to the RRACKS™ standard aluminium rail. It is light enough to be moved around and installed with ease in all the different configurations. Its plastic material won't rust so it will preserve the integrity of your roof. Select this option as a more affordable solution to our RRACKS™ aluminium walkway.



### WALKWAY KIT COMPONENTS & BOM



This product can also be attached to corrugated roof sheets, trapezoidal roof sheets and klip-lok roof sheets.



## FRP Walkway Piece

Fiber Glass reinforced Walkway. Different thickness available.

ITEM NO.	MATERIAL	SPEC
131-0001	FRP	402x2430mm



## M clip for FRP walkway

Aluminium clip used to connect the FRP to the Red Dot Rack standard aluminium rail.

ITEM NO.	MATERIAL	FINISH
355-0009	AL 6005-T5	Galvanised



## C clip for FRP walkway

Aluminium clip used to connect 2 pieces of FRP walkway.

ITEM NO.	MATERIAL	FINISH
355-0010	AL 6005-T5	Anodized



## Universal End Clamp

The Red Dot Rack universal end clamp can also be used to attach the FRP walkways pieces to the rail.

ITEM NO.	MATERIAL	SPEC	FINISH
302-0001	AL 6005-T5	30~50mm	Anodized
302-0011	AL 6005-T5	30~50mm	Black Anodized

### Klip-Lok 700 Walkway Kit

ITEM NO.	DESCRIPTION	QTY
314-0001	Klip-lok 700 bracket	24
304-0002	L-bracket	24
300-0001	RDR rail piece	12
319-0007	T-head connector	24
131-0002	M-Clip	40
112-0001	End cap	24
131-0001	FRP walkway piece, 2m	10
131-0003	C-Clip	16
355-0005	Walkway L-bracket	3

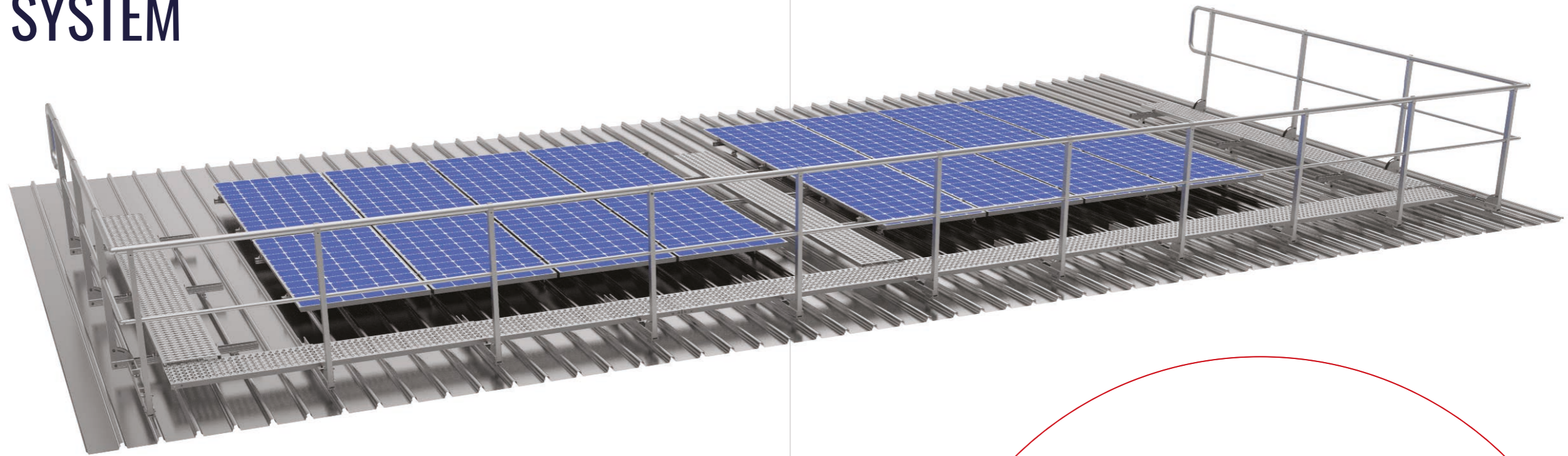
### Corrugated Walkway Kit

ITEM NO.	DESCRIPTION	QTY
314-0001	Klip-lok 700 bracket	24
304-0002	L-bracket	24
300-0001	RDR rail piece	12
319-0007	T-head connector	24
131-0002	M-Clip	40
112-0001	End cap	24
131-0001	FRP walkway piece, 2m	10
131-0003	C-Clip	16
355-0005	Walkway L-bracket	3

### Trapezoidal Walkway Kit

ITEM NO.	DESCRIPTION	QTY
314-0001	Roofing screw	24
304-0002	L-bracket	24
300-0001	RDR rail piece	12
319-0007	T-head connector	24
131-0002	M-Clip	40
112-0001	End cap	24
131-0001	Walkway piece, 4m	10
131-0003	C-Clip	16
355-0005	Walkway L bracket	3

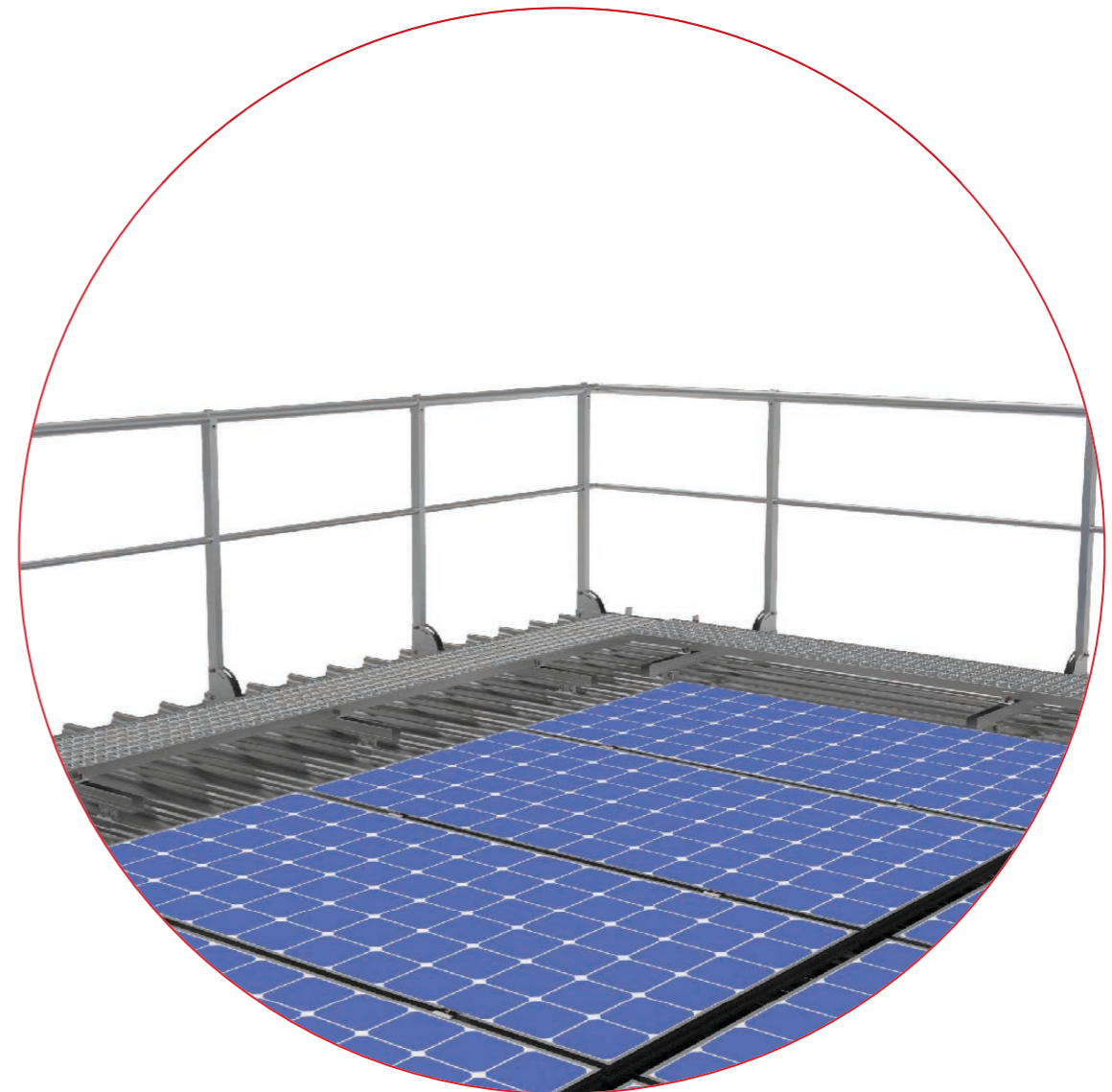
# EDGE PROTECTION GUARD RAIL SYSTEM



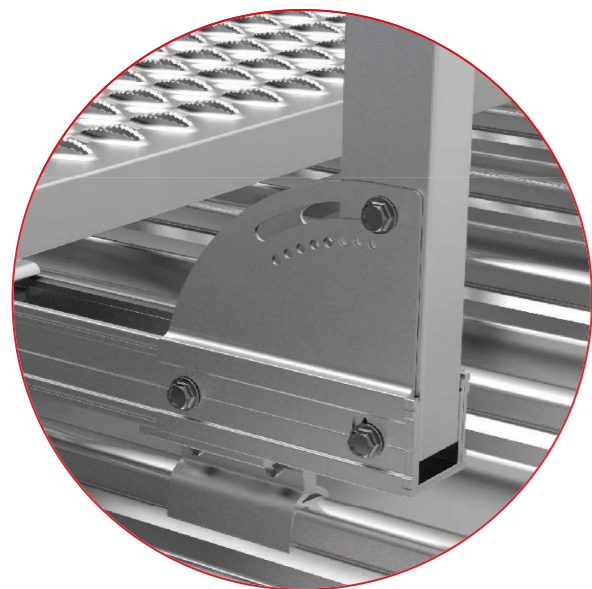
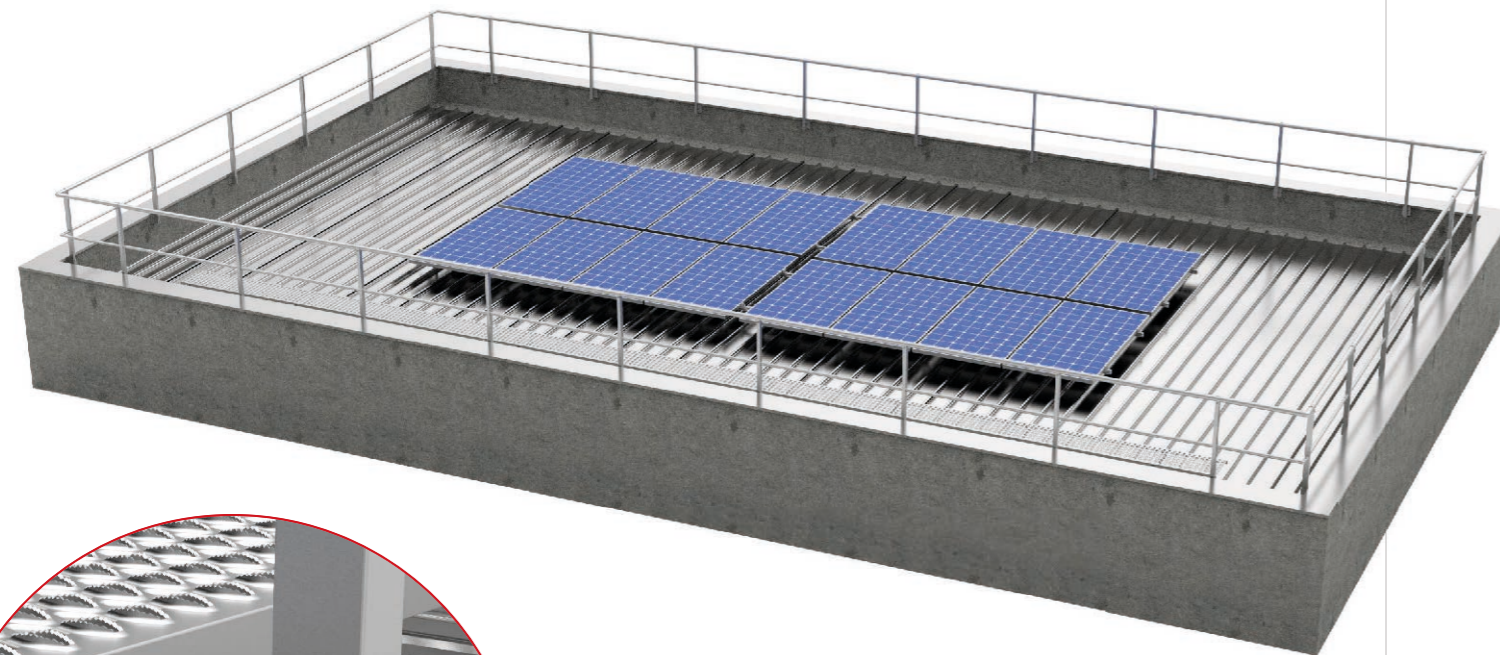
Integrating your **RRACKS™** Edge Protection guardrail with the walkways of your roof allows for safe and easy access for installation, maintenance and cleaning.

At **RRACKS™**, we always keep speed, efficiency of installation and safety in mind so that you can spend as little time as possible on the roof. **RRACKS™** Edge Protection guard rails ensure height safety compliance and eliminate hazards, reducing the risk of worker injury and liability concerns.

**RRACKS™** Edge Protection guardrails are made from our 6000 series aluminium to prevent corrosion and to ensure your guardrails won't have any rust problems due to weather and aging over time. Our aluminium guard rails are engineered to Australian standards and are much lighter than steel guard rails for hassle-free and efficient installation.



# “Can be installed on corrugated roof, concrete roof, trapezoidal and Klip-lok roof sheets”



You are able to adjust the angle of the mounting to suit the specific requirement and profile of the building.

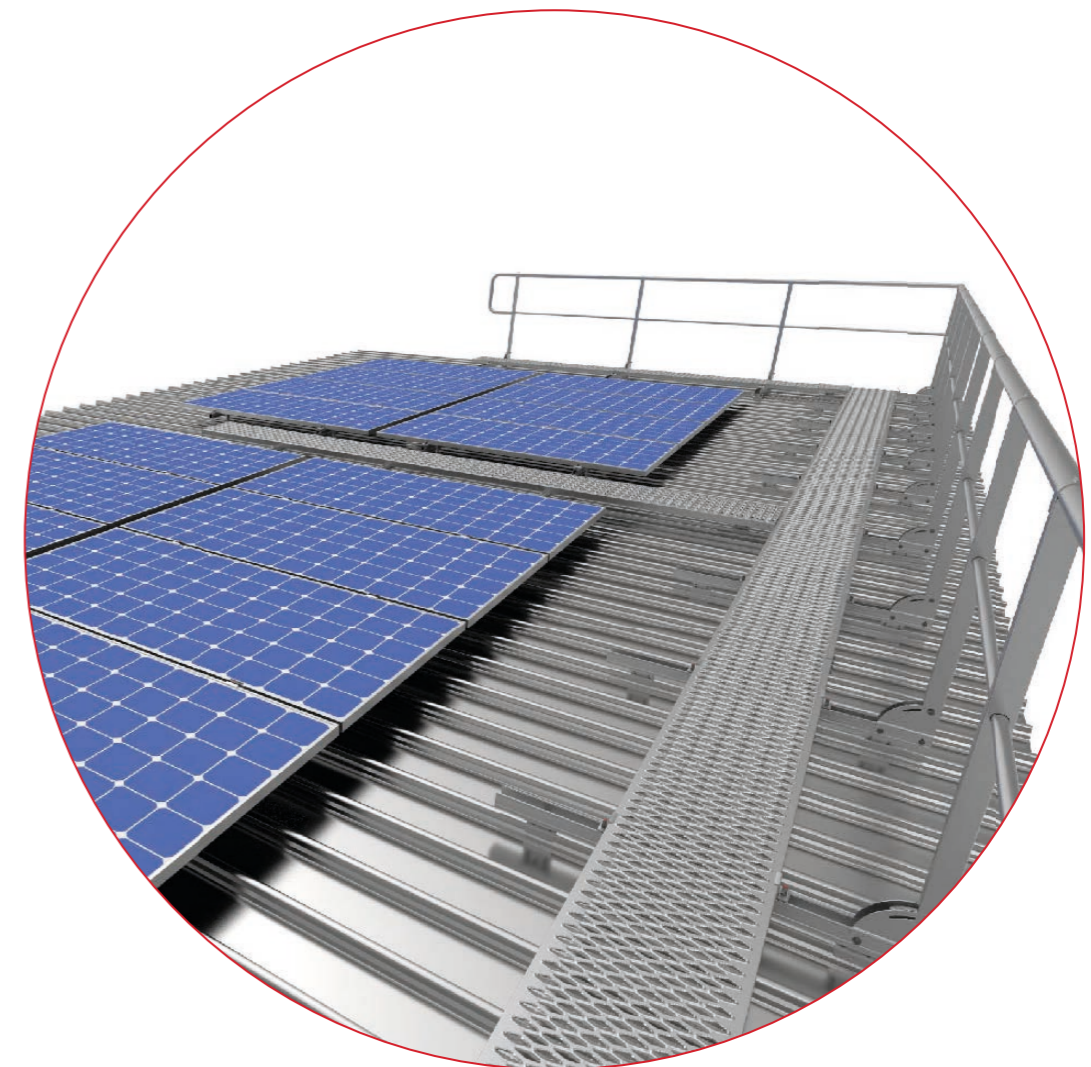


Our 2 ways locking system makes sure that your hand rail is firmly secured and will ensure your safety on your solar installation

**RRACKS™** Edge Protection guardrails can be installed to fulfil a variety of different purposes, including mounting to metal roofing and concrete or steel platforms, and can be used on and around:

- Stairways
- Platforms
- Guttering
- Fire escapes
- Roof decking
- Access hatches

**RRACKS™** Edge Protection guardrails can also be installed in conjunction with our other products, including roof walkways and cable management systems. **RRACKS™** Edge Protection guardrails use modular fittings, fixtures and mounting options for easy upgrading of existing height safety systems.



WALKWAY





### Top Handrail

RRACKS™ Handrail for Edge Protection system tubular for better grip, anodized aluminium to ensure a weather-proof safety structure. Custom length available.

ITEM NO.	MATERIAL	SPEC	FINISH
355-0011	AL 6005-T5	Ø50.8mm x 4m	Anodized
355-0013	AL 6005-T5	Ø50.8mm x 2m	Anodized



### Tube Joiner

Used to safely join two pieces of top handrail or midrail together, creating a strong fixing for all handrails in your installation.

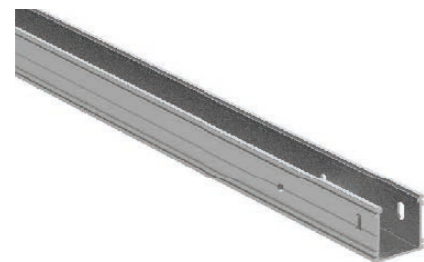
ITEM NO.	MATERIAL	SPEC	FINISH
355-0015	AL 6005-T5	Ø50.8mm	Anodized
355-0016	AL 6005-T5	Ø33.7mm	Anodized



### Handrail Elbow

Safely join two pieces of handrail coming at different angles, perfect for bends and pitch-changes.

ITEM NO.	MATERIAL	SPEC	FINISH
355-0017	Stainless Steel	Ø50.8mm adjustable	Brushed
355-0018	Stainless Steel	Ø33.7mm adjustable	Brushed
355-0032	Stainless Steel	Ø50.8mm 90° fixed	Brushed
355-0033	Stainless Steel	Ø33.7mm 90° fixed	Brushed



### Base Rail

RRACKS™ Edge Protection Base Rail. Allow the fixing of other RRACKS™ products like walkways and roof brackets. Custom length available.

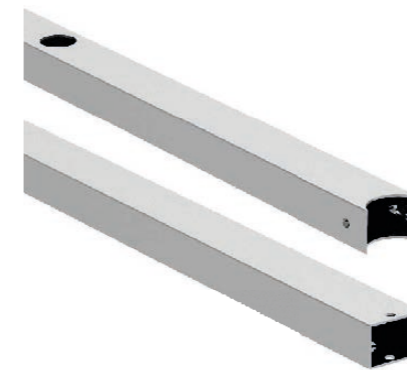
ITEM NO.	MATERIAL	SPEC	FINISH
355-0020	AL 6005-T5	1m	Anodized



### Mid Rail

RRACKS™ Mid Rail for edge protection design. Fits inside the Vertical Post. Choose 1 for angle <15° and 2 for angle >15°. Custom length available.

ITEM NO.	MATERIAL	SPEC	FINISH
355-0012	AL 6005-T5	Ø33.7mm x 4m	Anodized
355-0014	AL 6005-T5	Ø33.7mm x 2m	Anodized



### Handrail Post

RRACKS™ Edge Protection Vertical Handrail post. Easy to install with holes for top-rail and mid-rail. One version for <15° and one version for >15° roof pitch

ITEM NO.	MATERIAL	SPEC	FINISH
355-0021	AL 6005-T5	pitch <15°	Anodized
355-0022	AL 6005-T5	pitch >15°	Anodized
355-0034	AL 6005-T5	Parapet	Anodized
355-0037	AL 6005-T5	High Parapet	Anodized



### Saddle Clip

Saddle clip to firmly attach the Top Handrail to the Vertical Handrail Post. The Top grub screw is used for final fixing and tightening of the Handrail.

ITEM NO.	MATERIAL	SPEC	FINISH
355-0024	AL 6005-T5	Ø50.8mm	Anodized



### Adjustable Side Plates

Side Plates to hold the Vertical Handrail Post at the chosen angle. 35° Range of motion. With holes for additional support.

ITEM NO.	MATERIAL	SPEC	FINISH
355-0023	AL 6005-T5	35° slot	Anodized



### Base Rail Nut

Specially designed nut used to connect other RRACKS™ components like walkways to the Base Rail.

ITEM NO.	MATERIAL	SPEC	FINISH
355-0025	AL 6005-T5	44x25x8mm	Anodized



### Base Rail Spacer

Used to safely join two pieces of handrail together, creating a strong fixing for all handrails in your installation.

ITEM NO.	MATERIAL	SPEC	FINISH
355-0026	AL 6005-T5	42.5x41.5x50mm	Anodized



### Parapet Bracket

Bracket to attach the edge protection system to parapets. Sold with Bolt Anchors to attach to the parapet

ITEM NO.	MATERIAL	SPEC	FINISH
355-0035	AL 6005-T5	100mm high	Brushed



### Edge Protection Post Assembly

Full assembly of the Edge protection system. Can be adjusted between 0° and 35° from vertical and can be completely folded down for transportation and storage.

ITEM NO.	MATERIAL	SPEC	FINISH
355-0030	AL 6005-T5	pitch <15°	Anodized
355-0031	AL 6005-T5	pitch >15°	Anodized
355-0036	AL 6005-T5	Parapet	Anodized
355-0037	AL 6005-T5	High Parapet	Anodized



### Rail D Tube End

Connected at the end of the top rails using a joiner and curls down to match the end of the mid rail.

ITEM NO.	MATERIAL	SPEC	FINISH
355-0027	AL 6005-T5	Ø50.8mm	Anodized



### Base Rail End Clamp

Specially designed end clamp to attach RRACKS™ components to the Base Rail

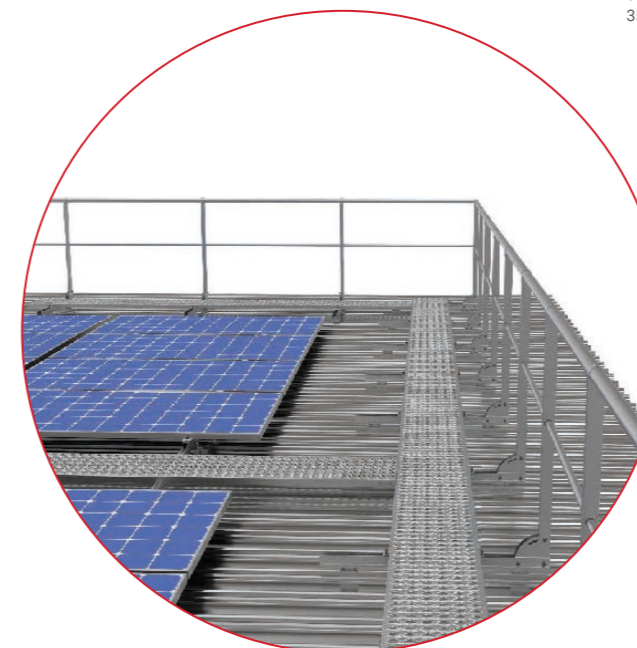
ITEM NO.	MATERIAL	SPEC	FINISH
355-0028	AL 6005-T5	50x38x40mm	Anodized



### Walkway Piece

Anti-slip fully aluminium walkway piece. Attach to the Red Dot Rack aluminium rail to ensure a safe pathway while working on your roof.

ITEM NO.	MATERIAL	SPEC
355-0007	AL 5052-H32	300x3900mm
355-0006	AL 5052-H32	390x3900mm
355-0008	AL 5052-H32	600x3900mm



### 12M BOM (WITHOUT FIXING)

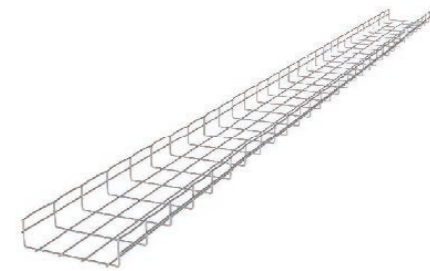
ITEM NO.	DESCRIPTION	QTY
355-0011	Top Rail, 4m	3
355-0030	Edge Protection Post Assembly	9
355-0027	Rail D Tube End	2
355-0012	Mid rail, 4m	3
355-0015	Tube Joiner Ø50.8mm	4
355-0016	Tube Joiner Ø33.7mm	4
355-0017	Adjustable Elbow Ø50.8mm	1
355-0018	Adjustable Elbow Ø33.7mm	1
355-0008	Walkway 600mm	3
355-0004	Walkway joiner	6
355-0028	Base Rail Nut	18

# CABLE MANAGEMENT

The Wire Mesh Cable Tray is produced from ASTM A510 high-strength steel wire. The design of the cable tray is adaptable with all cabling requirements and is sized and finished to match industry standard with more loading capability.

The Wire Basket System provides the necessary cable support while allowing unmatched field installation adaptability.

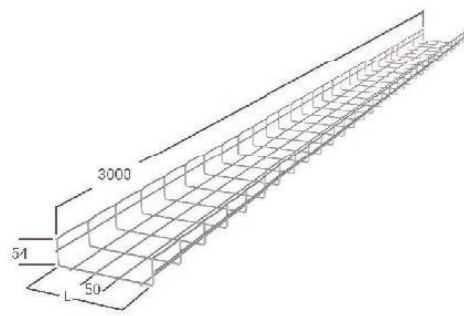
For consultation and advice on the best cable management with PV solar system, please call us.



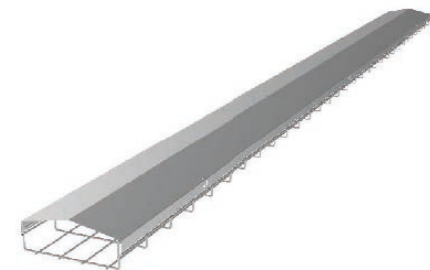
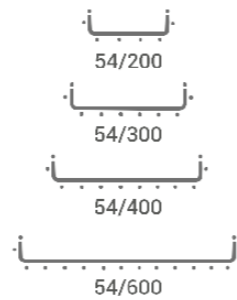
## Wire Mesh Cable Tray

Wire Mesh Cable Tray, used for cable management. Different depth available

ITEM NO.	MATERIAL	SPEC
129-0001	ASTM A510	200x54x3000mm
129-0002	ASTM A510	300x54x3000mm
129-0003	ASTM A510	400x54x3000mm
129-0004	ASTM A510	600x54x3000mm



	LENGTH	KG/M
54/200	200mm	1,32
54/300	300mm	1,99
54/400	400mm	2,97
54/600	600mm	3,79



## Cover

ZAM steel peaked cable tray cover to evacuate water better to prevent rusting. ZAM steel is twice as rust resistant as standard galvanized steel.

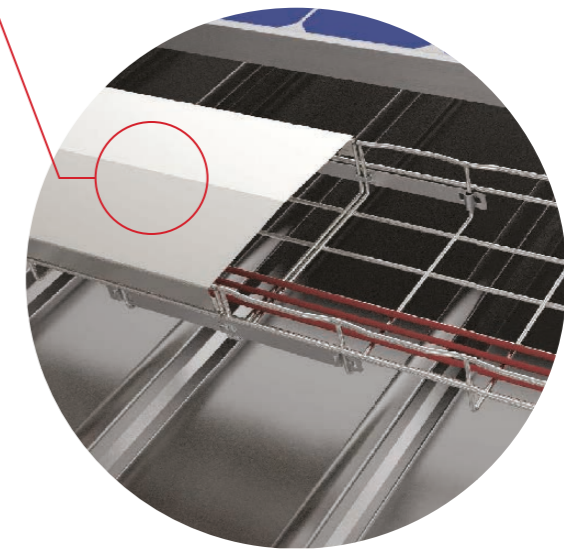
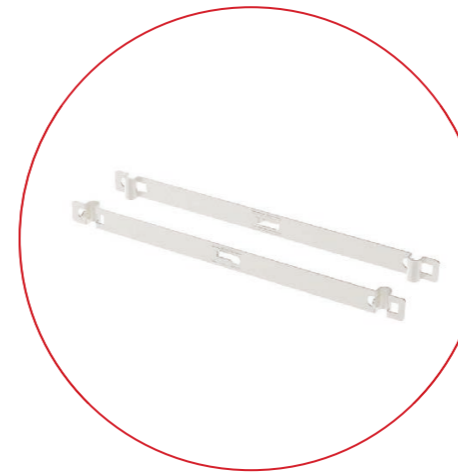
ITEM NO.	SPEC
129-0005	200X08X3000mm
129-0006	300x08x3000mm
129-0007	400x08x3000mm
129-0008	600x08x3000mm

## Accessories

### Cable Tray Joiner

Used to connect two pieces of cable tray together.

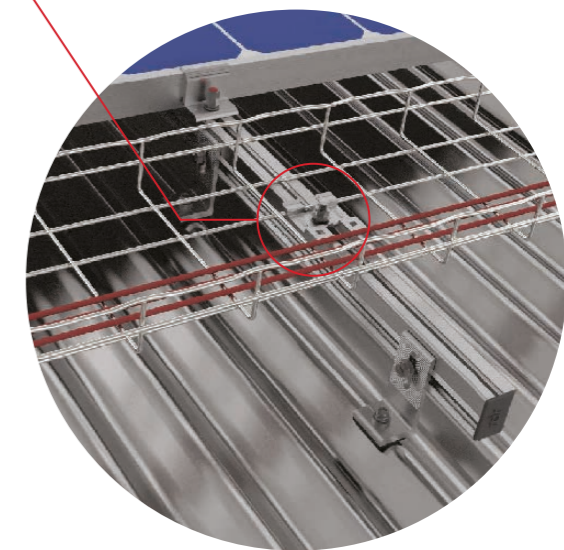
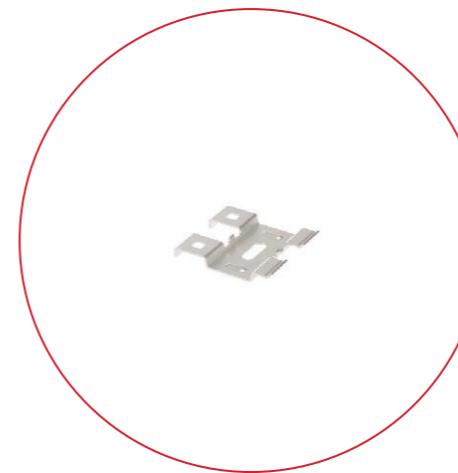
ITEM NO.
129-0009



### Rail to Tray Connector

Attaches the cable tray to the rail.

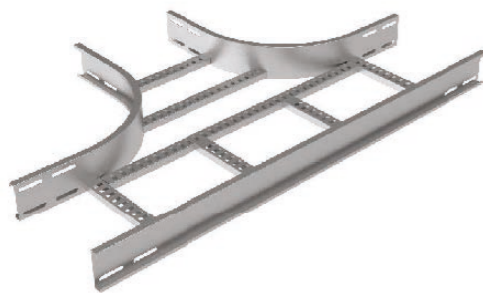
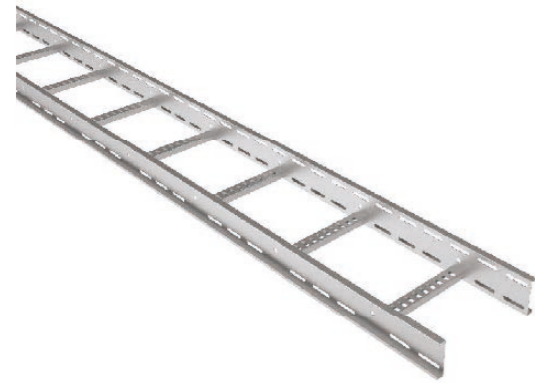
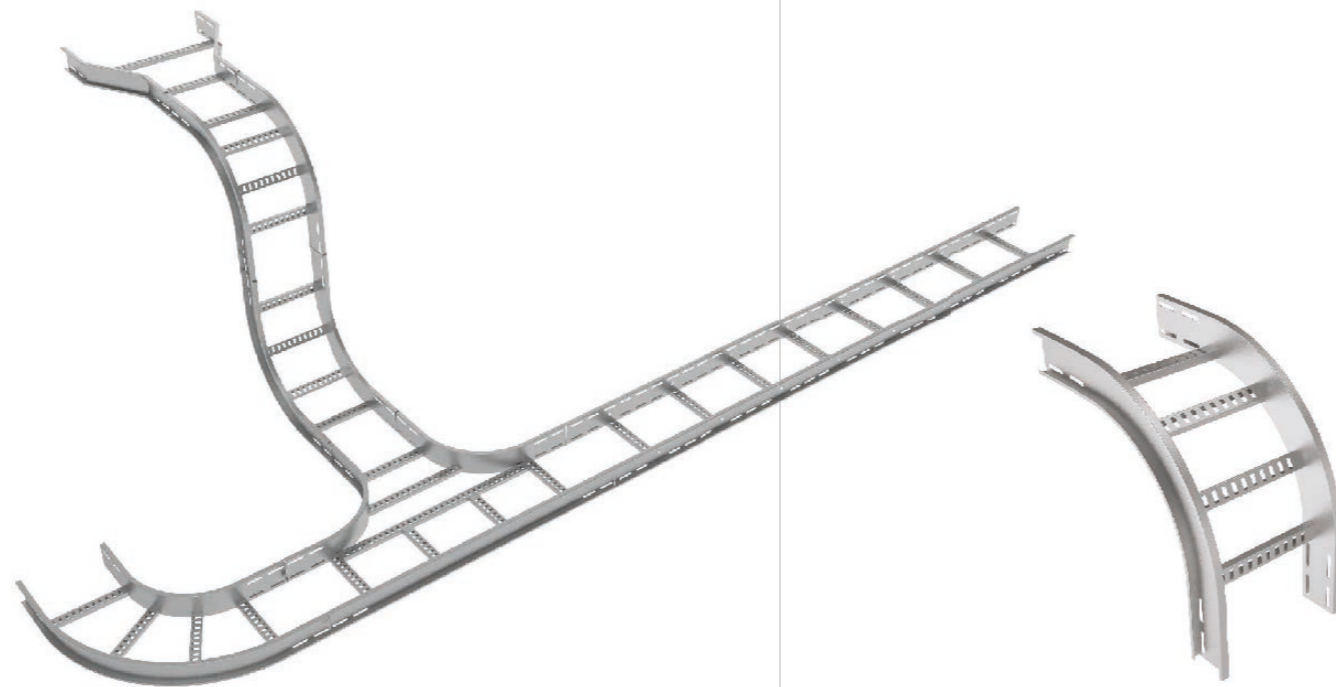
ITEM NO.
129-0010



# CABLE LADDER SYSTEM

The RRACKS™ Cable Ladder System is produced from our 80µm hot dipped galvanized Steel. This sturdy cable ladder system is adaptable to all your different cabling needs, is sized to meet all industry standards and is strong enough to withstand harsh weather conditions for many years.

For consultation and advice on the best cable ladder system for your PV solar system needs, please call us.



## Cable Ladder

Stronger than the wire mesh cable tray. This is used for managing cable in your solar installation.

ITEM NO.	MATERIAL	SPEC	FINISH
129-0001	Steel	200x100mm	Galvanised
129-0002	Steel	300x100mm	Galvanised
129-0003	Steel	600x100mm	Galvanised

## Cable Ladder 90° Horizontal

90° horizontal bend for your cable ladder system.

ITEM NO.	MATERIAL	SPEC	FINISH
129-0101	Steel	200x100mm	Galvanised
129-0102	Steel	300x100mm	Galvanised
129-0103	Steel	600x100mm	Galvanised

## Cable Ladder T Junction

T junction for your cable ladder system.

ITEM NO.	MATERIAL	SPEC	FINISH
129-0201	Steel	200x100mm	Galvanised
129-0202	Steel	300x100mm	Galvanised
129-0203	Steel	600x100mm	Galvanised

## Cable Ladder Internal Riser

Internal riser to go vertical in your cable ladder system.

ITEM NO.	MATERIAL	SPEC	FINISH
129-0301	Steel	200x100mm	Galvanised
129-0302	Steel	300x100mm	Galvanised
129-0303	Steel	600x100mm	Galvanised

## Cable Ladder External Riser

External riser to go vertical in your cable ladder system.

ITEM NO.	MATERIAL	SPEC	FINISH
129-0401	Steel	200x100mm	Galvanised
129-0402	Steel	300x100mm	Galvanised
129-0403	Steel	600x100mm	Galvanised

## Cable Ladder Reducer

Reducer to connect different width of cable ladder in your system.

ITEM NO.	MATERIAL	SPEC	FINISH
129-0501	Steel	200/100mm	Galvanised
129-0502	Steel	300/100mm	Galvanised
129-0503	Steel	600/100mm	Galvanised

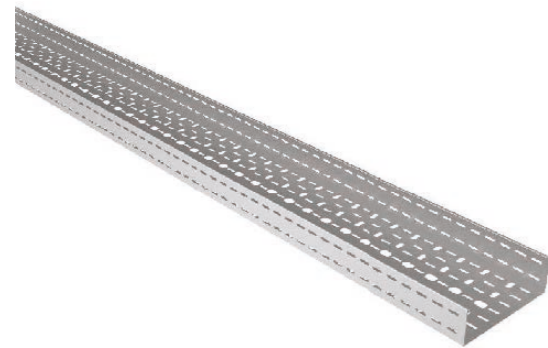
## Connector

Used to connect every piece of cable ladder together.

ITEM NO.	MATERIAL	FINISH
129-0601	Steel	Galvanised

# CABLE TRAY SYSTEM

Produced from ZAM galvanized steel, your cable trays are built to keep your cables organised for years. ZAM steel is twice as rust-resistant as standard galvanized steel, giving you the confidence you need for all your PV Solar installations.



## Cable Tray

An enclosed version of the cable tray. Stronger than the wire mesh cable tray. Used to manage cables in your solar project.

ITEM NO.	MATERIAL	SPEC	FINISH
129-1001	Steel	200x100mm	Galvanised
129-1002	Steel	300x100mm	Galvanised
129-1003	Steel	600x100mm	Galvanised

## Cable Tray 90° Horizontal

90° horizontal tray for your cable tray system.

ITEM NO.	MATERIAL	SPEC	FINISH
129-1101	Steel	200x100mm	Galvanised
129-1102	Steel	300x100mm	Galvanised
129-1103	Steel	600x100mm	Galvanised

## Cable Tray T Junction

T junction for your cable tray system.

ITEM NO.	MATERIAL	SPEC	FINISH
129-1201	Steel	200x100mm	Galvanised
129-1202	Steel	300x100mm	Galvanised
129-1203	Steel	600x100mm	Galvanised

## Cable Tray Internal Riser

Internal riser to go vertical in your cable tray system.

ITEM NO.	MATERIAL	SPEC	FINISH
129-1301	Steel	200x100mm	Galvanised
129-1302	Steel	300x100mm	Galvanised
129-1303	Steel	600x100mm	Galvanised

## Cable Tray External Riser

External riser to go vertical in your cable tray system.

ITEM NO.	MATERIAL	SPEC	FINISH
129-1401	Steel	200x100mm	Galvanised
129-1402	Steel	300x100mm	Galvanised
129-1403	Steel	600x100mm	Galvanised

## Cable Tray Reducer

Reducer to connect different width of cable ladder in your system.

ITEM NO.	MATERIAL	SPEC	FINISH
129-1501	Steel	200/100mm	Galvanised
129-1502	Steel	300/100mm	Galvanised
129-1503	Steel	600/100mm	Galvanised

## Connector

Used to connect every piece of cable tray together.

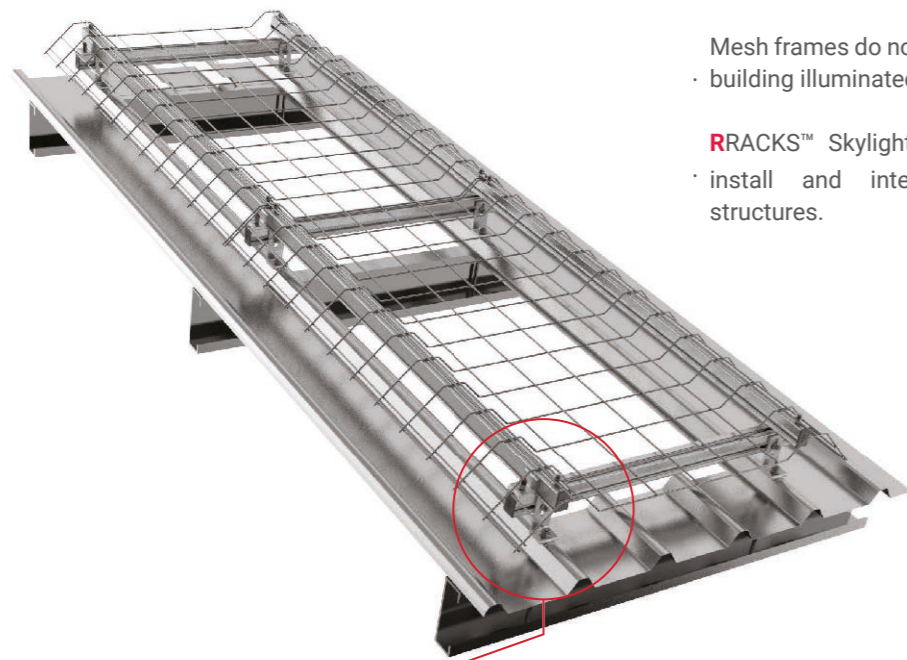
ITEM NO.	MATERIAL	FINISH
129-0601	Steel	Galvanised

# SKYLIGHT PROTECTION

The **RRACKS™** Skylight Protection System is designed to help building owners ensure the all-round safety of their properties. Aside from providing protection for covering unprotected roof lights as well as fragile roof light covers, the **RRACKS™** Skylight Protection System also helps prevent any potential injuries from falls through skylights - all without blocking out the light.

## SKYLIGHT BENEFITS

- **RRACKS™** Skylight Protection will help improve safety for workers.
- Adaptable solution for covering skylights on all types of roofs such as Klip-Lok roofs and corrugated roofs.
- Easily transported and assembled while on the roof.
- All components are aluminium while mesh frames are stainless steel for enhanced durability.
- Mesh frames do not block out light, which keeps the building illuminated.
- **RRACKS™** Skylight Protection system is easy to install and integrate with other **RRACKS™** structures.



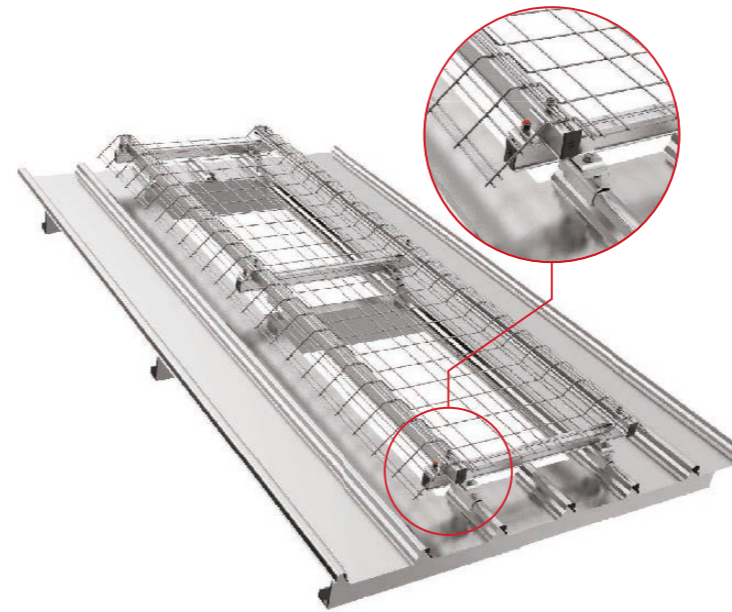
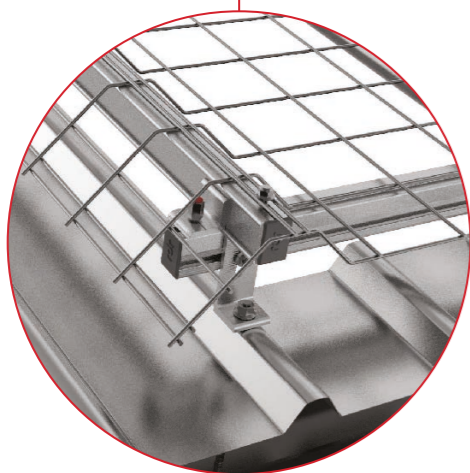
## Skylight Protection - Trapezoidal Roof

The **RRACKS™** Skylight Protection adapted with Hanger bolts.

ITEM NO.	MATERIAL	SPEC	FINISH
408-0003	Aluminium Stainless Steel	1.2m x 0.8m	Anodized

### BOM 2.4M

ITEM NO.	DESCRIPTION	QTY	MATERIAL
320-0002	Hanger bolt	6	Steel
300-0004	RDR rail; 700mm	3	Aluminium
300-0004	RDR rail; 2350mm	2	Aluminium
112-0001	End cap	10	Plastic
319-0007	T-head rail connector	14	Aluminium
318-0001	Cross rail bracket	6	Aluminium
357-0001	Wire mesh	2	Steel



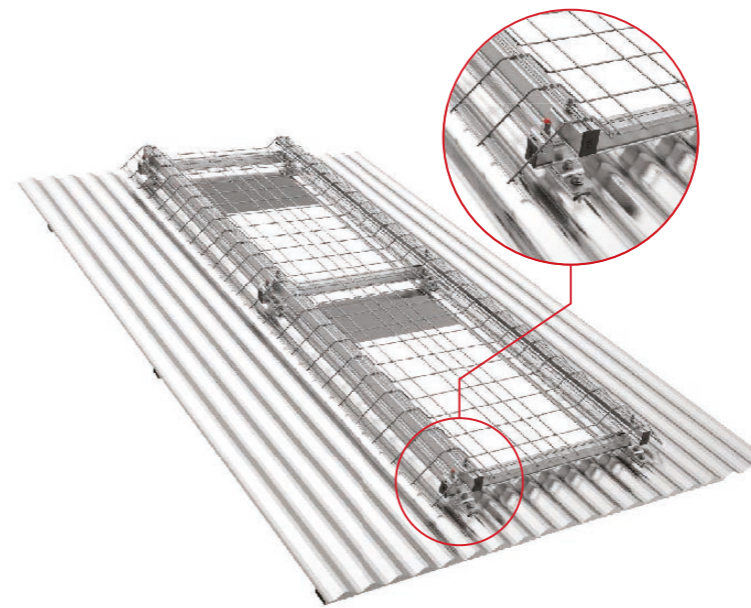
## Skylight Protection - Kliplok Roof

The **RRACKS™** Skylight Protection adapted with Kliplok roof brackets.

ITEM NO.	MATERIAL	SPEC	FINISH
408-0001	Aluminium Stainless Steel	1.2m x 0.8m	Anodized

### BOM 2.4M

ITEM NO.	DESCRIPTION	QTY	MATERIAL
314-0009	Kliplok 700 bracket	6	Aluminium
213-0001	Cross rail bracket	6	Aluminium
300-0004	RDR rail; 700mm	3	Aluminium
300-0004	RDR rail; 2350mm	2	Aluminium
112-0001	End cap	10	Plastic
318-0001	Cross rail bracket assembly	6	Aluminium
357-0001	Wire mesh	1	Steel



## Skylight Protection - Corrugated Roof

The **RRACKS™** Skylight Protection adapted with corrugated roofing shoes.

ITEM NO.	MATERIAL	SPEC	FINISH
408-0002	Aluminium Stainless Steel	1.2m x 0.8m	Anodized

### BOM 2.4M

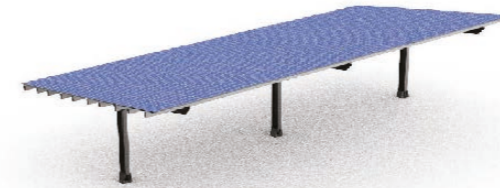
ITEM NO.	DESCRIPTION	QTY	MATERIAL
321-0004	Corrugated bracket	6	Aluminium
100-0003	Roofing screw	6	Steel
300-0004	RDR rail; 700mm	3	Aluminium
300-0004	RDR rail; 2350mm	2	Aluminium
213-0001	Cross bracket piece	6	Aluminium
112-0001	End cap	10	Plastic
318-0001	Cross rail bracket	6	Aluminium
357-0001	Wire mesh	1	Steel

# CARPORTS



**RRACKS™** is committed to continue leading the way in the latest developments in the Solar Racking industry. With the ever-evolving EV market, **RRACKS™** provides an exciting range of innovative commercial and residential solar carports, one of the new emerging opportunities in the world of solar.

The **RRACKS™** EV Carport is produced with our 6000 series aluminium for panel attachment. The framing is made from 80µm hot dipped galvanized steel to ensure a long lasting structure.



## Ultra Wide Single Pitch Solar Carport

**RRACKS™** carport for 8 cars, 90 panels for maximum efficiency  
Clearance is 2.5m at the lowest

**REF NO.** 409-0001  
**SPEC** 18.4m x 9m- 10° pitch

ITEM NO.	DESCRIPTION	QTY	MATERIAL
347-0002	54 pole; 3286mm	3	Galvanized Steel
348-0002	32 truss; 9342mm	3	Galvanized Steel
349-0002	Truss & pole connector 1	3	Galvanized Steel
349-0003	Truss & pole connector 2	3	Galvanized Steel
334-0002	Rail clamp	60	Aluminium
308-0031	Rail; 18400mm	10	Aluminium
301-0002	Mid clamp	170	Aluminium
302-0001	End clamp	20	Aluminium



## Single Pitch Solar Carport

**RRACKS™** carport for 4 cars, 54 panels for compacity  
Clearance is 2.5m at the lowest.

**REF NO.** 409-0002  
**SPEC** 18.4m x 5m- 10° pitch

ITEM NO.	DESCRIPTION	QTY	MATERIAL
347-0001	Pole; 2563mm	3	Galvanized Steel
348-0001	Truss; 5537mm	3	Galvanized Steel
392-0002	Truss & pole connector	3	Galvanized Steel
308-0031	Rail; 18400mm	6	Aluminium
334-0002	Rail clamp	36	Aluminium
301-0002	Mid clamp	102	Aluminium
302-0001	End clamp	12	Aluminium



## Ultra Wide Double Pitch Solar Carport

**RRACKS™** carport for 8 cars, 108 panels for maximum efficiency, double pitch to allow for bigger cars.

**REF NO.** 409-0003  
**SPEC** 18.4m x 10m- 10° pitch

ITEM NO.	DESCRIPTION	QTY	MATERIAL
347-0001	Pole; 2563mm	6	Galvanized Steel
348-0001	Truss; 5537mm	6	Galvanized Steel
392-0002	Truss & pole connector	6	Galvanized Steel
308-0031	Clamped rail; 18400mm	12	Aluminium
334-0002	Rail clamp	72	Aluminium
301-0002	Mid clamp	204	Aluminium
302-0001	End clamp	24	Aluminium

**MIGHTYLIFT**



**LIGHT**

The Mighty Lift is made of aluminium. It is lightweight and easy to use. The total weight of the lifter is approximately 40kg and its longest piece is 900mm long. It can be easily carted on a trailer or racked up inside a pickup truck or a large 4WD car.

**VERSATILE**

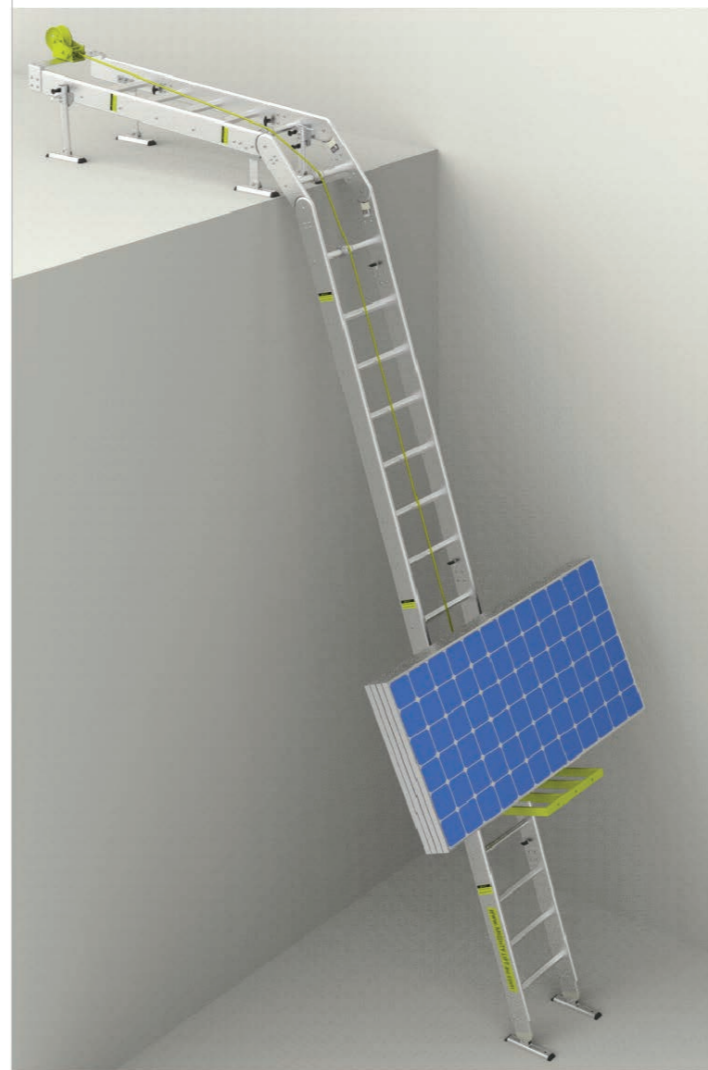
Designed with versatility in mind, it can be used for single or double storey buildings. The adjustable legs allow for uneven terrain and different pitched roofs. The versatility of the elbows allows the lifter to run parallel with most pitches including flat roofs. The short piece can be used for extra height up to the roof or for extra distance across the roof.

**MightyLift Standard Edition**

Has smaller extensions to easily fit in a compact pickup truck. Ranging from 2.7m up to 5.4m.

ITEM NO.	SPEC	MATERIAL
ML-14-001	2.7m	Anodized + safety yellow
ML-14-002	3.6m	Anodized + safety yellow
ML-14-003	4.5m	Anodized + safety yellow
ML-14-004	5.4m	Anodized + safety yellow

**MIGHTYLIFT**



**STRONG**

Engineered to Australian Standards (standard no. AS1418.1SAA), it has a maximum capacity rating of 120kg for a double storey building.

**SAFE**

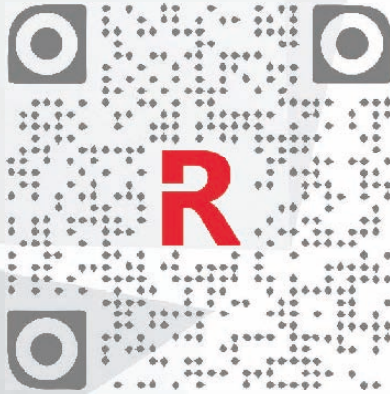
With new health and safety regulations to consider, the Mighty Lift can help protect yourself and your team. Doing so ensures that none of your employees are at risk or off work due to injury, while also protecting your company from being liable for any negligence.

**MightyLift Commercial Edition**

Has longer extensions reach higher places. Ranging from 4.5m up to 9.9m.

ITEM NO.	SPEC	MATERIAL
ML-14-005	4.5m	Anodized + safety yellow
ML-14-006	6.3m	Anodized + safety yellow
ML-14-007	8.1m	Anodized + safety yellow
ML-14-008	9.9m	Anodized + safety yellow





# RRACKS®

## SINGAPORE OFFICE

- 📍 2 Boon Leat Terrace, Harbourside  
#04-03/04, Singapore
- ✉️ sales@rracks.com

## AUSTRALIA OFFICE

- 📍 Unit 1 20 Henderson Road Knoxfield,  
Victoria 3180, Australia
- ✉️ sales@rracks.com

## THAILAND OFFICE

- 📍 10/1 Soi Farmwattana, Rama 4 Road,  
Phakanong, Klongtoei Bangkok 10400,  
Thailand
- ✉️ sales@rracks.com

## VIETNAM OFFICE

- 📍 85/89, Pham Viet Chanh, Binh Thanh District  
Ho Chi Minh City 7000000, Vietnam
- ✉️ sales@rracks.com

## PHILIPPINES OFFICE

- 📍 22J Avenir Building, Archbishop Reyes Ave,  
Cebu City, 6000 Philippines
- ✉️ sales@rracks.com

## USA OFFICE

- 📍 3404 American Drive, unit 3307, Lago Vista  
78645, TX, USA
- ✉️ sales@rracks.com

## FRANCE OFFICE

- ✉️ sales@rracks.com